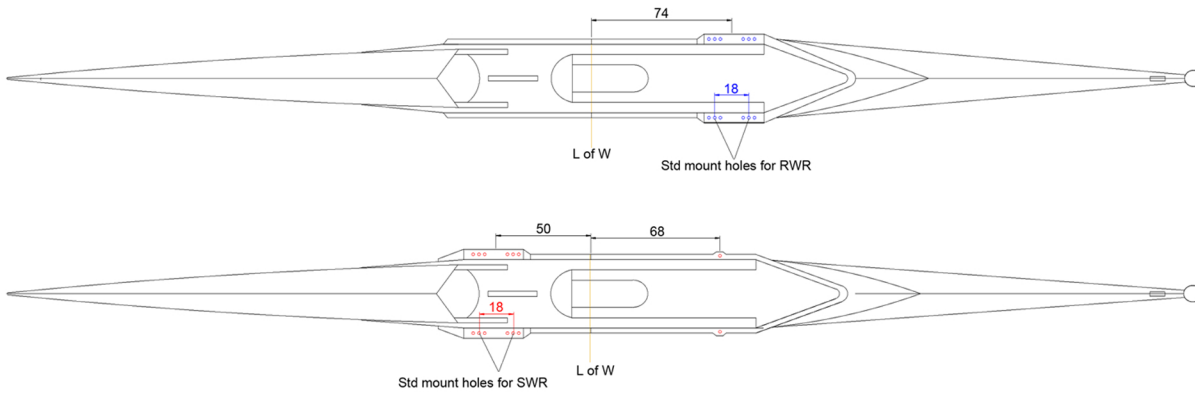


Rigger Mount Holes For New RS Moulds

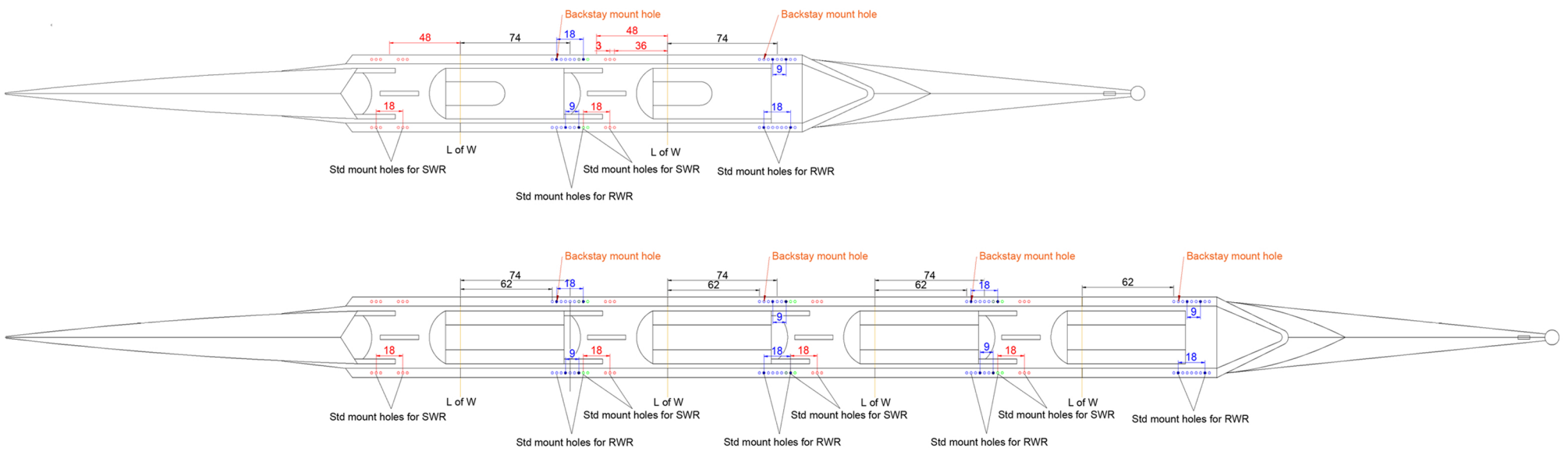
- Red holes: Rigger mount holes for SWR
- Blue holes: Rigger mount holes for RWR
- Green holes: Rigger mount holes for RWR & SWR.



Stern Wing Rigger (mm)									
Mould (kg)	Open ing	Rise	Stern to stroke L of W	Rig width		Rig mount length		Foot space	Seat space
				1	2	Ali Sc	Ali Sw		
121-(50-65)	500	65/55	3,445	410	/	180	/	700	700
122-(60-75)	500	65/55	3,710	410	/	180	/	700	700
123-(70-85)	500	65/55	3,730	410	/	180	/	700	700
124-(75-90)	500	65/55	3,760	410	/	180	/	700	700
125L-(85-100)	500	65/55	3,900	410	/	180	/	720	700
125H-(95-110)	500	65/55	3,890	410	/	180	/	750	750
221-(50-65)	500	60/50	3,570	470	470	180	180	680	670
222-(60-75)	500	60/50	3,680	470	470	180	180	700	700
223-(70-85)	500	60/50	3,760	470	470	180	180	700	700
224-(75-90)	500	60/50	3,770	470	470	180	180	700	700
225-(85-100)	500	60/50	3,990	490	490	180	180	700	700

Reverse Wing Rigger (mm)													
Mould (kg)	Open ing	Rise	Stern to stroke L of W	Rig width				Rig mount length				Foot space	Seat space
				1	2	Ali Sc	Ali Sw	Carb Sc	Carb Sw				
121-(50-65)	740	65/55	3,490	410	/	180	/	180	/	700	700		
122-(60-75)	740	65/55	3,770	410	/	180	/	180	/	700	700		
123-(70-85)	740	65/55	3,790	410	/	180	/	180	/	700	700		
124-(75-90)	740	65/55	3,790	410	/	180	/	180	/	700	700		
125L-(85-100)	740	65/55	3,960	410	/	180	/	180	/	720	700		
125H-(95-110)	740	65/55	3,950	410	/	180	/	180	/	750	750		
221-(50-65)	740	60/50	3,570	470	470	180	180	180	180/90	680	670		
222-(60-75)	740	60/50	3,680	470	470	180	180	180	180/90	700	700		
223-(70-85)	740	60/50	3,760	470	470	180	180	180	180/90	700	700		
224-(75-90)	740	60/50	3,770	470	470	180	180	180	180/90	700	700		
225-(85-100)	740	60/50	3,990	490	490	180	180	180	180/90	700	700		

Opening means center of rigger pin to center of rigger foot.
 Rise for stern wing rigger (SWR) means height from underside of rigger foot to top of rigger block



Stern Wing Rigger (mm)															
Mould (kg)	Open ing	Rise	Stern to stroke L of W	Rig width								Rig mount length		Foot space	Seat space
				1	2	3	4	5	6	7	8	Ali Sc	Ali Sw		
421-(55-70)	500	50/40		490	490	490	490	/	/	/	/	180	180	700	700
422-(65-80)	500	50/40	3,470	490	490	490	490	/	/	/	/	180	180	700	700
423-(75-90)	500	50/40	3,470	490	490	490	490	/	/	/	/	180	180	700	700
424-(85-100)	500	50/40	3,540	510	510	510	510	/	/	/	/	180	180	700	700
821-(65-80)	500	40/30		570	610	610	610	610	610	610	570	210	210	690	670
822+(75-90)	500	40/30	3,860	570	610	610	610	610	610	610	570	210	210	690	670
823+(85-100)	500	40/30	4,170	570	610	610	610	610	610	610	570	210	210	690	670

Reverse Wing Rigger (mm)																	
Mould (kg)	Open ing	Rise	Stern to stroke L of W	Rig width								Rig mount length				Foot space	Seat space
				1	2	3	4	5	6	7	8	Ali Sc	Ali Sw	Carb Sc	Carb Sw		
421-(55-70)	740	50/40		490	490	490	490	/	/	/	/	180	180	180/90	700	700	
422-(65-80)	740	50/40	3,470	490	490	490	490	/	/	/	/	180	180	180/90	700	700	
423-(75-90)	740	50/40	3,470	490	490	490	490	/	/	/	/	180	180	180/90	700	700	
424-(85-100)	740	50/40	3,540	510	510	510	510	/	/	/	/	180	180	180/90	700	700	
821-(65-80)	740	40/30		570	570	610	610	610	610	610	610	210	210	210	210/90	690	670
822+(75-90)	740	40/30	3,860	570	570	610	610	610	610	610	610	210	210	210	210/90	690	670
823+(85-100)	740	40/30	4,170	570	570	610	610	610	610	610	610	210	210	210	210/90	690	670

Opening means center of rigger pin to center of rigger foot.
 Rise for stern wing rigger (SWR) means height from underside of rigger foot to top of rigger block

