



Filippi

SPARE PARTS list

Complete accessories sheets for Filippi's racing, adaptive and coastal boats

version n°35 r.6

INNOVATION MADE FOR WORLD CLASS PERFORMANCE



INDEX



RACING	6
4 IN 1 SINGLE ACTION SEAT	6
4 IN 1 SINGLE ACTION ADJUSTABLE SEAT	8
4 IN 1 SINGLE ACTION ADJUSTABLE LIGHT SEAT	10
TRADITIONAL SINGLE ACTION SEAT	12
TRADITIONAL SINGLE ACTION ADJUSTABLE SEAT	14
RAILS	16
FOOTSTRETCHERS	18
<i>FOOTSTRETCHERS (after 06/2017)</i>	18
<i>FOOTSTRETCHERS ACCESSORIES</i>	19
<i>FOOTSTRETCHERS supplied before 2017</i>	20
ADAPTIVE	20
CARBON KIT	21
PLATES	22
<i>FOR BOATS SUPPLIED AFTER 2015</i>	22
<i>FOR BOATS SUPPLIED BEFORE 2015</i>	23
FILIPPI MAS SHOES	24
FINS AND RUDDERS	26
SWEEP ALUMINIUM WING RIGGER	28
SCULL ALUMINIUM WING RIGGER	30
SCULL ALUMINIUM WING RIGGER ALIANTE	32
SWEEP CARBON WING RIGGER ALIANTE	34
SCULL CARBON WING RIGGER ALIANTE	36
SWEEP MONOLITHIC CARBON WING RIGGER	38
SCULL MONOLITHIC CARBON WING RIGGER	40
4 STAY SWEEP ALUMINIUM RIGGER	42
3 STAY SCULL ALUMINIUM RIGGER	44
SWEEP CARBON WING RIGGER (360° pitch)	46
SCULL CARBON WING RIGGER (360° pitch)	48
CARBON TUBULAR SWEEP / SCULL RIGGER	50
BACKSTAY	52
<i>BACKSTAY FOR 3 AND 4 STAY ALUMINIUM RIGGER</i>	53
<i>BACKSTAY FOR WING RIGGER</i>	53
CARBON BACKSTAY	55
ADJUSTABLE BACKSTAY	55
ACCESSORIES	56

FOLDING STAND	56
OARS	56
WATER BOTTLES	58
NANOTECHNOLOGICAL CLEANING KIT	58
BOAT COVERS	58
OTHER ACCESSORIES	59
NIELSEN-KELLERMAN MERCHANDISE	61
FILIPPI COLLECTION	62

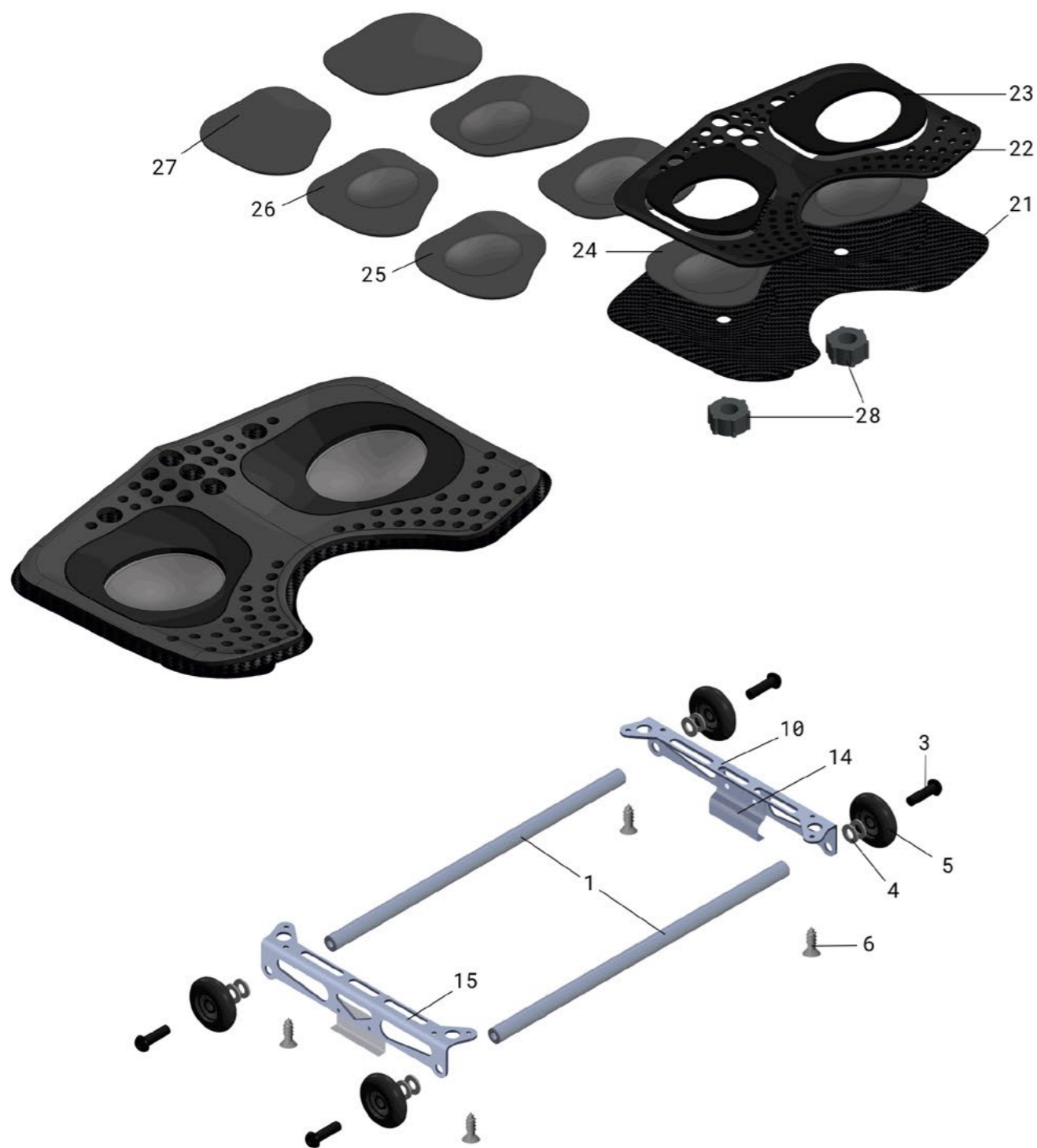
ADAPTIVE	64
SCULL ALUMINIUM WING RIGGER	64
SCULL ALUMINIUM WING RIGGER ALIANTE	66
CARBON WING RIGGER	68
SCULL CARBON WING RIGGER ALIANTE	70
1x ADAPTIVE BOAT SEAT	72
2x ADAPTIVE BOAT SEAT	74

COASTAL	76
ALIANTE ALUMINIUM RIGGER FOR 1x	76
ALIANTE CARBON RIGGER FOR 1x	78
RIGGER FOR 2x / 4x+	80
STEERING COMPONENTS ON COASTAL 4x+	82
RUDDER FOR COASTAL 4x+	84
COXSWAIN SEAT	86

The Spare Parts list is subject to continuous update. We kindly ask you to rely always and only to the online version available at www.filippiboats.com

Anytime you place a spare order, please provide the code/s of the item/s needed.

4 IN 1 SINGLE ACTION SEAT

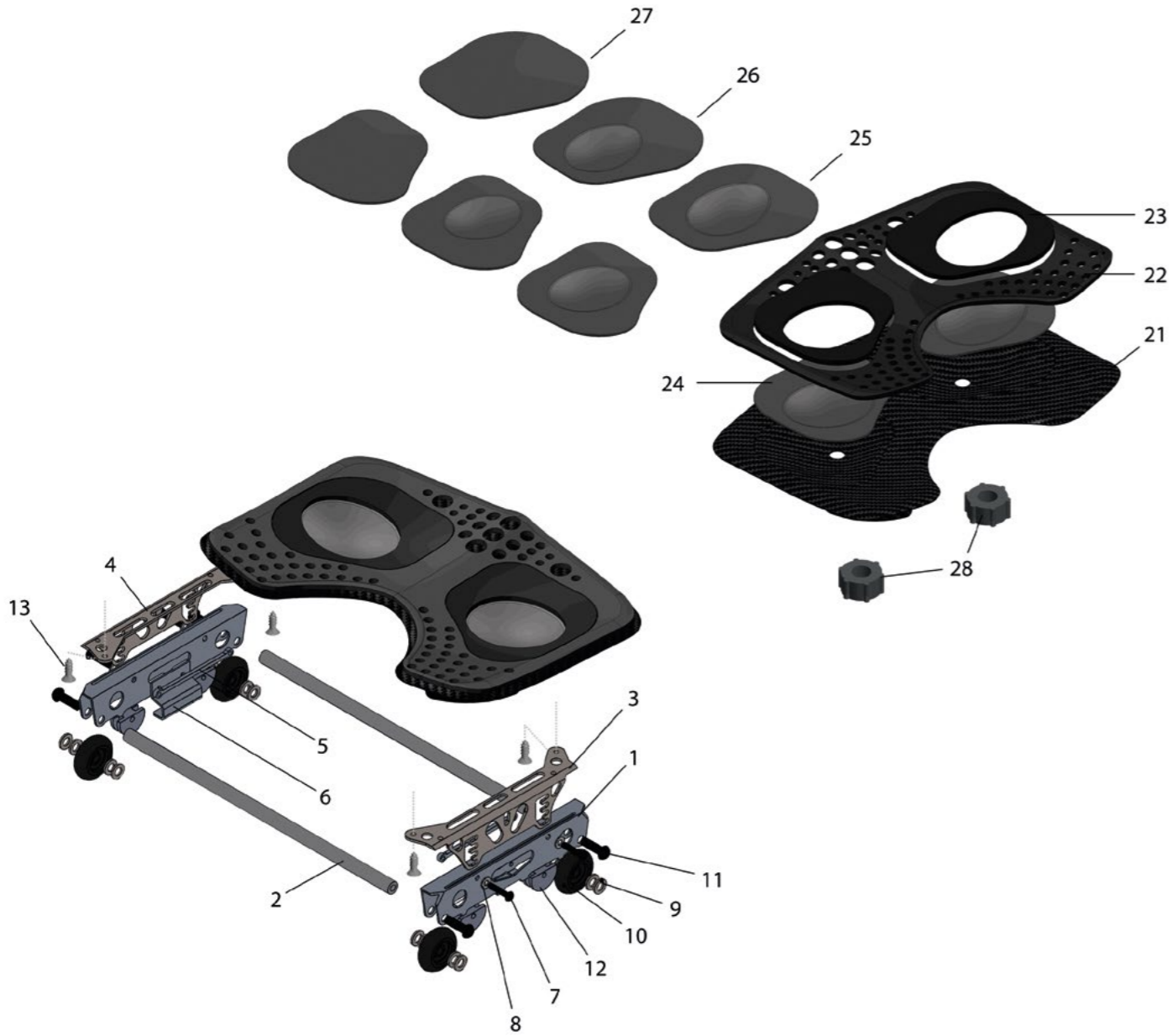


N°	Code	Description	Price(€)
	VACAF1023417	4 in 1 single action seat cm 23 with medium inserts	237,00
	VACAF1025418	4 in 1 single action seat cm 25 with medium inserts	237,00
	VACAF1028419	4 in 1 single action seat cm 28 with medium inserts	237,00
	VACAF1030420	4 in 1 single action seat cm 30 with medium inserts	237,00
	VACAF1030CR	4 in 1 single action seat 30cm for Coastal boats	237,00
	VACAF1217+1	Complete undercarriage for single action seat cm 23-25-28, 1 cm higher	93,00
	VACAF1217+2	Complete undercarriage for single action seat cm 23-25-28 cm, 2 cm higher	93,00
	VACAF1223	Complete undercarriage for cm 23 4 in 1 single action seat	79,00
	VACAF1225	Complete undercarriage for cm 25 4 in 1 single action seat	79,00
	VACAF1228	Complete undercarriage for cm 28 4 in 1 single action seat	79,00
	VACAF1230	Complete undercarriage for cm 30 4 in 1 single action seat	79,00
1	VACAXX30	Axle for cm 30 undercarriage	10,50
1	VACAXX25	Axle for cm 25 undercarriage	10,50
1	VACAXX28	Axle for cm 28 undercarriage	10,50
1	VACAXX23	Axle for cm 23 undercarriage	10,50
3	AVV6030A	Wheel bolt (M6 x 30)	0,60
4	VABXXA006A	6mm washer	0,30
5	VACAF1400	Nylon wheel for undercarriage	15,00
6	AVV3595P	Self-tapping cross-head screw 3.5 x 9.5	0,50
10	VACAX120023D	anodised aluminium angle bar for cm 23 undercarriage (right)	15,00
15	VACAX120023S	anodised aluminium angle bar for cm 23 undercarriage (left)	15,00
10	VACAX120025D	anodised aluminium angle bar for cm 25 undercarriage (right)	15,00
15	VACAX120025S	anodised aluminium angle bar for cm 25 undercarriage (left)	15,00
10	VACAX120028D	anodised aluminium angle bar for cm 28 undercarriage (right)	15,00
15	VACAX120028S	anodised aluminium angle bar for cm 28 undercarriage (left)	15,00
10	VACAX120030D	Anodised aluminium angle bar for cm 30 undercarriage (right)	15,00
15	VACAX120030S	Anodised aluminium angle bar for cm 30 undercarriage (left)	15,00
21	VACASED28	Carbon top seat cm 28	116,50
21	VACASED30	Carbon top seat cm 30	116,50
21	VACASED25	Carbon top seat cm 25	116,50
21	VACASED23	Carbon top seat cm 23	116,50
22	VACAX7028BIS	Pad for cm 28/30 "4in1" carbon top seat	10,50
22	VACAX7023BIS	Pad for cm 23/25 "4in1" carbon top seat	9,50
23	VACAX7017S	Adhesive pad for small insert	2,50
23	VACAX7017L	Adhesive pad for large insert	2,50
23	VACAX7017M	Adhesive pad for medium insert	2,50
23	VACAX7017F	Adhesive pad for flat insert	2,50
24	VACAS14425M	Pair of medium inserts for "4in1" carbon top seat	13,50
25	VACAS14425L	Pair of large inserts for "4in1" carbon top seat	13,50
26	VACAS14425S	Pair of small inserts for "4in1" carbon top seat	13,50
27	VACAS14425	Pair of flat inserts for "4in1" carbon top seat	13,50
28	VACASCLIP	Pair of insert clips for carbon top seat	11,00

*specify wheelbase

PLEASE PROVIDE BOAT SERIAL NUMBER WHEN YOU PLACE THE ORDER

4 IN 1 SINGLE ACTION ADJUSTABLE SEAT

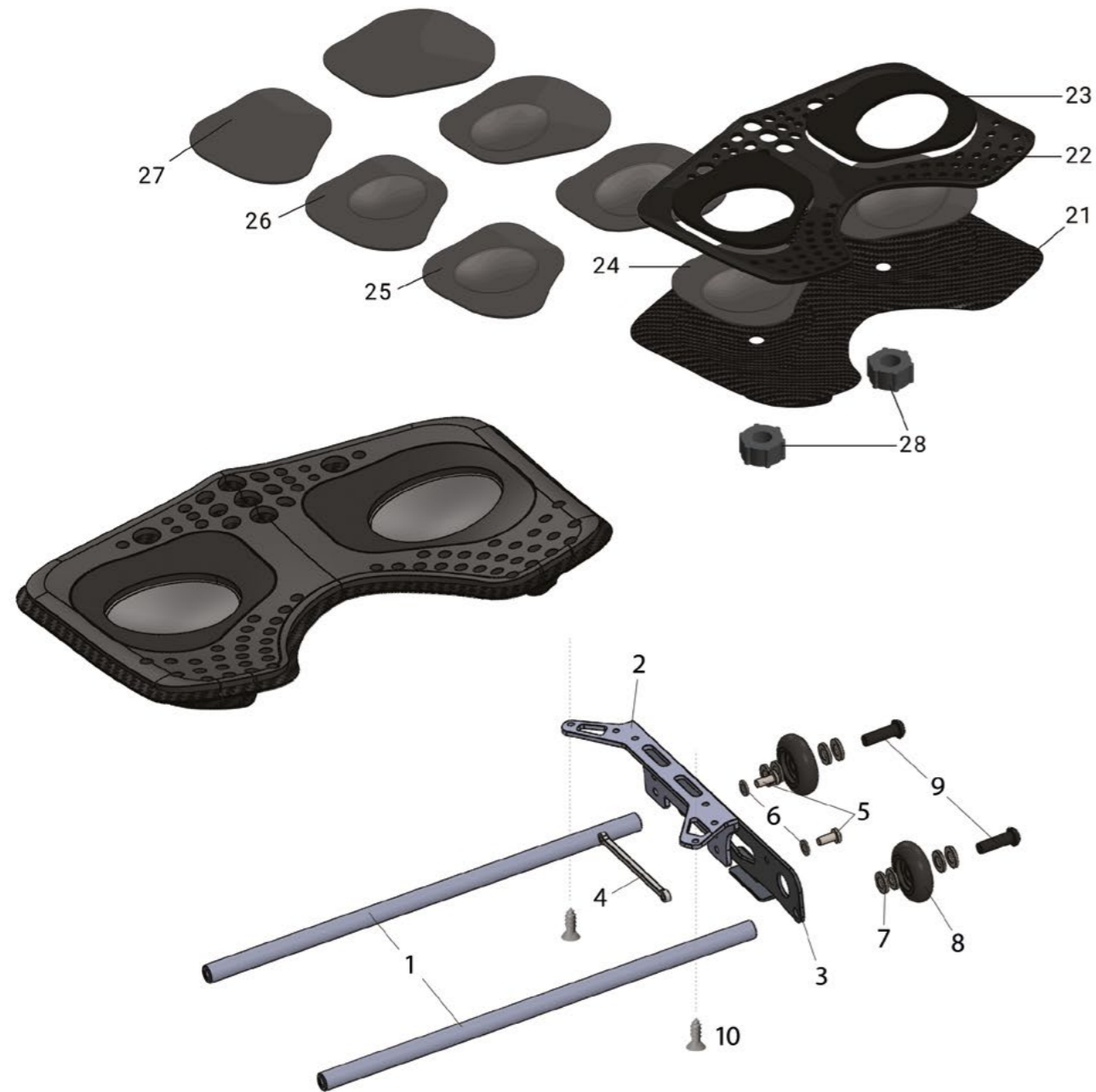


No.	Code	Description	Price
	VACAF1023421	Adjustable 4 in 1 single action seat cm 23 with medium inserts	237,00
	VACAF1025422	Adjustable 4 in 1 single action seat cm 25 with medium inserts	237,00
	VACAF1028423	Adjustable 4 in 1 single action seat cm 28 with medium inserts	237,00
	VACAF1030424	Adjustable 4 in 1 single action seat cm 30 with medium inserts	237,00
	VACAF23R	Complete undercarriage for cm 23 4 in 1 adjustable single action seat	140,00
	VACAF25R	Complete undercarriage for cm 25 4 in 1 adjustable single action seat	140,00
	VACAF28R	Complete undercarriage for cm 28 4 in 1 adjustable single action seat	140,00
	VACAF30R	Complete undercarriage for cm 30 4 in 1 adjustable single action seat	140,00

N°	Code	Description	Price
1	VACAX1200R	Undercarriage U-profile for adjustable seat	16,50
2	VACAXX23	Axle for cm 23 undercarriage	10,50
2	VACAXX25	Axle for cm 25 undercarriage	10,50
2	VACAXX28	Axle for cm 28 undercarriage	10,50
2	VACAXX30	Axle for cm 30 undercarriage	10,50
3	VACAX1200R23D	nautical stainless steel angle bar for cm 23 adjustable undercarriage (right)	13,70
3	VACAX1200R25D	nautical stainless steel angle bar for cm 25 adjustable undercarriage (right)	13,70
3	VACAX1200R28D	nautical stainless steel angle bar for cm 28 adjustable undercarriage (right)	13,70
3	VACAX1200R30D	nautical stainless steel angle bar for cm 30 adjustable undercarriage (right)	13,70
4	VACAX1200R23S	nautical stainless steel angle bar for cm 23 adjustable undercarriage (left)	13,70
4	VACAX1200R25S	nautical stainless steel angle bar for cm 25 adjustable undercarriage (left)	13,70
4	VACAX1200R28S	nautical stainless steel angle bar for cm 28 adjustable undercarriage (left)	13,70
4	VACAX1200R30S	nautical stainless steel angle bar for cm 30 adjustable undercarriage (left)	13,70
5	VACAXXR4	8 shaped nut for adjustable undercarriage	4,75
6	VACAXACHAS	Aluminum clamp for undercarriage	5,00
7	VACAXXRV4	M4 x 20 mm cross-head screw for adjustable undercarriage	0,80
8	VABXXA004A	4 mm washer	0,30
9	VABXXA006A	6 mm washer	0,30
10	VACAF1400	Nylon wheel for undercarriage	15,00
11	AVV6030A	Wheel bolt (M6 x 30)	0,60
12	VACAXXRSP	PVC wedge for adjustable undercarriage	3,50
13	AVV3595P	Self-tapping cross-head screw 3.5 x 9.5	0,50
21	VACASED23	Carbon top seat cm 23	116,50
21	VACASED25	Carbon top seat cm 25	116,50
21	VACASED28	Carbon top seat cm 28	116,50
21	VACASED30	Carbon top seat cm 30	116,50
22	VACAX7023BIS	Pad for cm 23/25 "4in1" carbon top seat	9,50
22	VACAX7028BIS	Pad for cm 28/30 "4in1" carbon top seat	10,50
23	VACAX7017F	Adhesive pad for flat insert	2,50
23	VACAX7017L	Adhesive pad for large insert	2,50
23	VACAX7017M	Adhesive pad for medium insert	2,50
23	VACAX7017S	Adhesive pad for small insert	2,50
24	VACAS14425L	Pair of large inserts for "4in1" carbon top seat	13,50
25	VACAS14425M	Pair of medium inserts for "4in1" carbon top seat	13,50
26	VACAS14425S	Pair of small inserts for "4in1" carbon top seat	13,50
27	VACAS14425	Pair of flat inserts for "4in1" carbon top seat	13,50
28	VACASCLIP	Pair of insert clips for carbon top seat	11,00

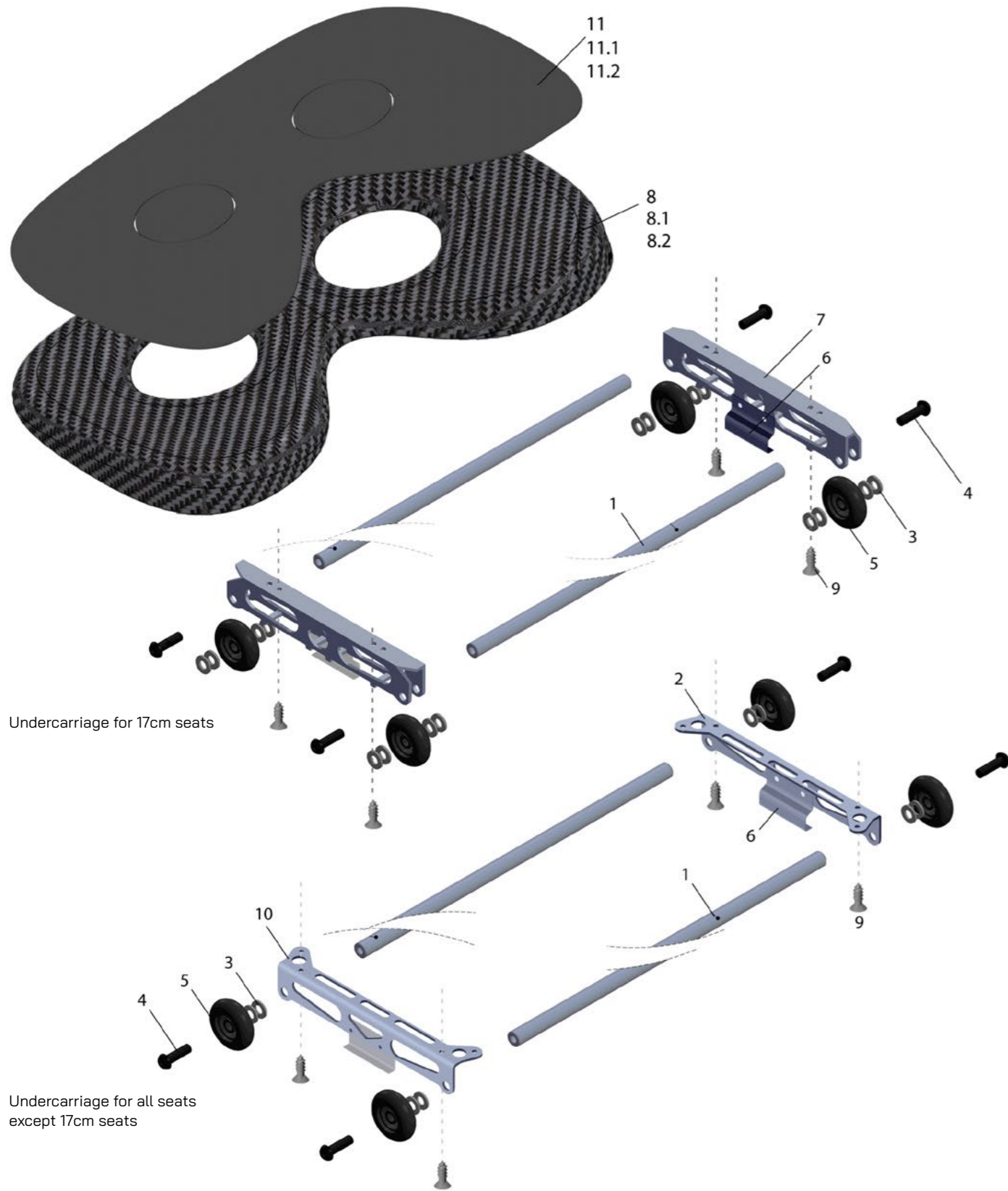
PLEASE PROVIDE BOAT SERIAL NUMBER WHEN YOU PLACE THE ORDER

4 IN 1 SINGLE ACTION ADJUSTABLE LIGHT SEAT



No.	Code	Description	Price
	VACAF1025422L	4 in 1 light adjustable single action seat cm 25 with medium inserts	237,00
	VACAF1028423L	4 in 1 light adjustable single action seat cm 28 with medium inserts	237,00
	VACAF1030424L	4 in 1 light adjustable single action seat cm 30 with medium inserts	237,00
	VACAF25RL	Complete undercarriage for cm 25 4 in 1 light adjustable single action seat	140,00
	VACAF28RL	Complete undercarriage for cm 28 4 in 1 light adjustable single action seat	140,00
	VACAF30RL	Complete undercarriage for cm 30 4 in 1 light adjustable single action seat	140,00
1	VACAXX25	Axle for cm 25 undercarriage	10,50
1	VACAXX28	Axle for cm 28 undercarriage	10,50
1	VACAXX30	Axle for cm 30 undercarriage	10,50
2	VACAXAN25D	anodized aluminium angle bar for cm 25 4 in 1 light adj. single action seat (right)	16,00
2	VACAXAN25S	anodized aluminium angle bar for cm 25 4 in 1 light adj. single action seat (left)	16,00
2	VACAXAN28D	anodized aluminium angle bar for cm 28 4 in 1 light adj. single action seat (right)	16,00
2	VACAXAN28S	anodized aluminium angle bar for cm 28 4 in 1 light adj. single action seat (left)	16,00
2	VACAXAN30D	anodized aluminium angle bar for cm 30 4 in 1 light adj. single action seat (right)	16,00
2	VACAXAN30S	anodized aluminium angle bar for cm 30 4 in 1 light adj. single action seat (left)	16,00
3	VACAXXPTT	undercarriage with clamp for 4in1 adjustable light seat	11,20
4	VACAXXR4	8 shaped nut for adjustable undercarriage	4,75
5	AVV410TP	Stainless steel bolt 4x10	0,80
6	VABXXA004A	4 mm washer	0,30
7	VABXXA006A	6 mm washer	0,30
8	VACAF1400	Nylon wheel for undercarriage	15,00
9	AVV6030A	Wheel bolt (M6 x 30)	0,60
10	AVV3595P	Self-tapping cross-head screw 3.5 x 9.5	0,50
21	VACASED23	Carbon top seat cm 23	116,50
21	VACASED25	Carbon top seat cm 25	116,50
21	VACASED28	Carbon top seat cm 28	116,50
21	VACASED30	Carbon top seat cm 30	116,50
22	VACAX7023BIS	Pad for cm 23/25 "4in1" carbon top seat	9,50
22	VACAX7028BIS	Pad for cm 28/30 "4in1" carbon top seat	10,50
23	VACAX7017F	Adhesive pad for flat insert	2,50
23	VACAX7017L	Adhesive pad for large insert	2,50
23	VACAX7017M	Adhesive pad for medium insert	2,50
23	VACAX7017S	Adhesive pad for small insert	2,50
24	VACAS14425L	Pair of large inserts for "4in1" carbon top seat	13,50
25	VACAS14425M	Pair of medium inserts for "4in1" carbon top seat	13,50
26	VACAS14425S	Pair of small inserts for "4in1" carbon top seat	13,50
27	VACAS14425	Pair of flat inserts for "4in1" carbon top seat	13,50
28	VACASCLIP	Pair of insert clips for carbon top seat	11,00

PLEASE PROVIDE BOAT SERIAL NUMBER WHEN YOU PLACE THE ORDER



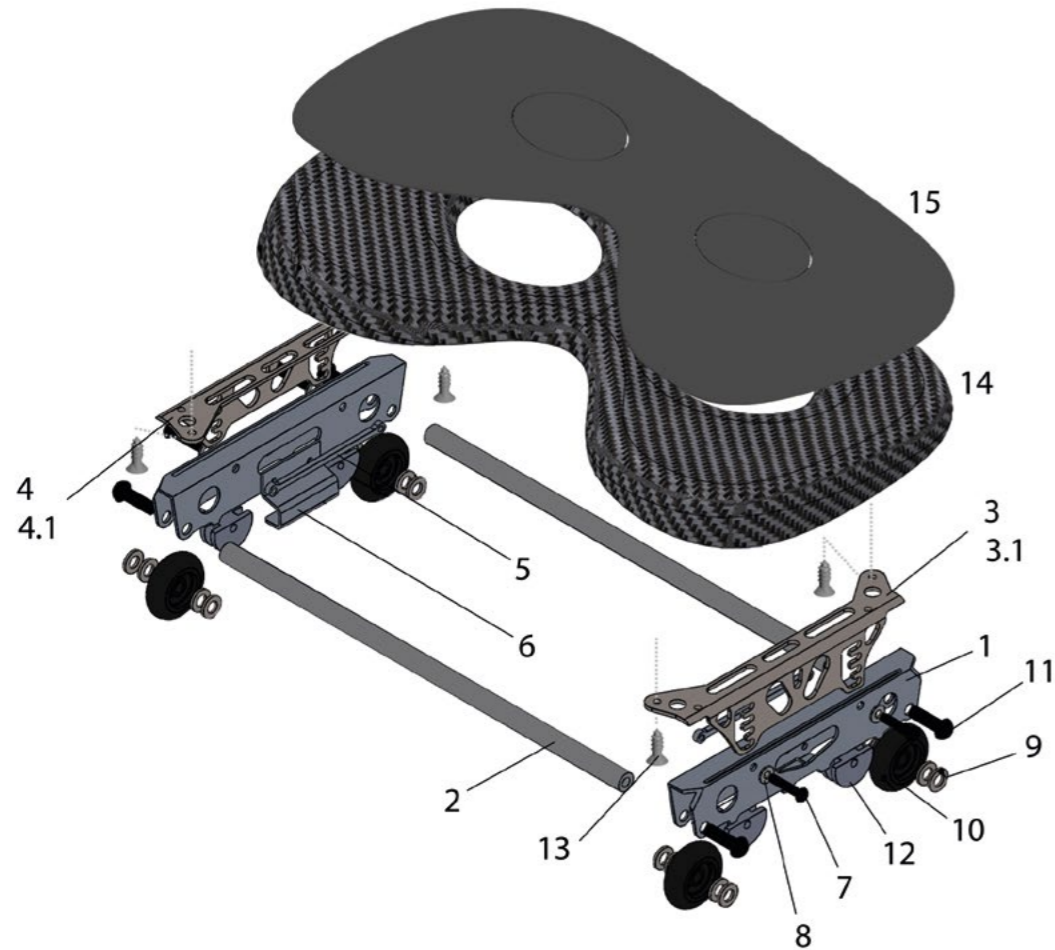
N°	Code	Description	Price
	VACAF1017	Single action seat cm 17	195,00
	VACAF1023	Single action seat cm 23	195,00
	VACAF1025	Single action seat cm 25	195,00
	VACAF1028	Single action seat cm 28	195,00
	VACAF1030	Single action seat cm 30	195,00
	VACAF1217	Complete undercarriage for cm 17 single action seat	79,00
	VACAF1217+1	Undercarriage for single action seat cm 17-23-25-28, 1 cm higher	93,00
	VACAF1217+2	Undercarriage for single action seat cm 17-23-25-28 cm, 2 cm higher	93,00
	VACAF1223	Complete undercarriage for cm 23 single action seat	79,00
	VACAF1225	Complete undercarriage for cm 25 single action seat	79,00
	VACAF1228	Complete undercarriage for cm 28 single action seat	79,00
	VACAF1230	Complete undercarriage for cm 30 single action seat	79,00
1	VACAXX17	Axle for cm 17 undercarriage	10,50
1	VACAXX23	Axle for cm 23 undercarriage	10,50
1	VACAXX25	Axle for cm 25 undercarriage	10,50
1	VACAXX28	Axle for cm 28 undercarriage	10,50
1	VACAXX30	Axle for cm 30 undercarriage	10,50
3	VABXXA006A	6mm washer	0,30
4	AVV6030A	Wheel bolt (M6x30)	0,60
5	VACAF1400	Nylon wheel for undercarriage	15,00
6	VACAXACHAS	Aluminum clamp for undercarriage	5,00
7	VACAX1200	Undercarriage U-profile for cm 17 single action seat	15,00
7	VACAX1210	Undercarriage U-profile, 1 cm higher for cm 17 single action seat	15,90
7	VACAX1220	Undercarriage U-profile, 2 cm higher for cm 17 single action seat	15,90
8	VACAS1417	Carbon top seat cm 17	116,00
8.1	VACAS1423	Carbon top seat cm 23	116,00
8.2	VACAS1428	Carbon top seat cm 28	116,00
9	AVV3595P	Self-tapping cross-head screw 3.5 x 9.5	0,50
2	VACAX120023D	Anodized aluminium angle bar for cm 23 undercarriage (right)	15,00
10	VACAX120023S	Anodized aluminium angle bar for cm 23 undercarriage (left)	15,00
2	VACAX120025D	Anodized aluminium angle bar for cm 25 undercarriage (right)	15,00
10	VACAX120025S	Anodized aluminium angle bar for cm 25 undercarriage (left)	15,00
2	VACAX120028D	Anodized aluminium angle bar for cm 28 undercarriage (right)	15,00
10	VACAX120028S	Anodized aluminium angle bar for cm 28 undercarriage (left)	15,00
2	VACAX120030D	Anodized aluminium angle bar for cm 30 undercarriage (right)	15,00
10	VACAX120030S	Anodized aluminium angle bar for cm 30 undercarriage (left)	15,00
11	VACAX7023	Pad for cm 23/25 carbon top seat	6,00
11.1	VACAX7028	Pad for cm 28/30 carbon top seat	6,00
11.2	VACAX7017	Pad for cm 17 carbon top seat	6,00

		Coastal	Price
	VACAF10CR	Complete single action seat for Coastal boats	195,00
2	VACAX1200CRD	Angle bar INOX for cm 30 undercarriage (right) for Coastal Boats	15,00
10	VACAX1200CRS	Angle bar INOX for cm 30 undercarriage (left) for Coastal Boats	15,00

*specify wheelbase

PLEASE PROVIDE BOAT SERIAL NUMBER WHEN YOU PLACE THE ORDER

TRADITIONAL SINGLE ACTION ADJUSTABLE SEAT

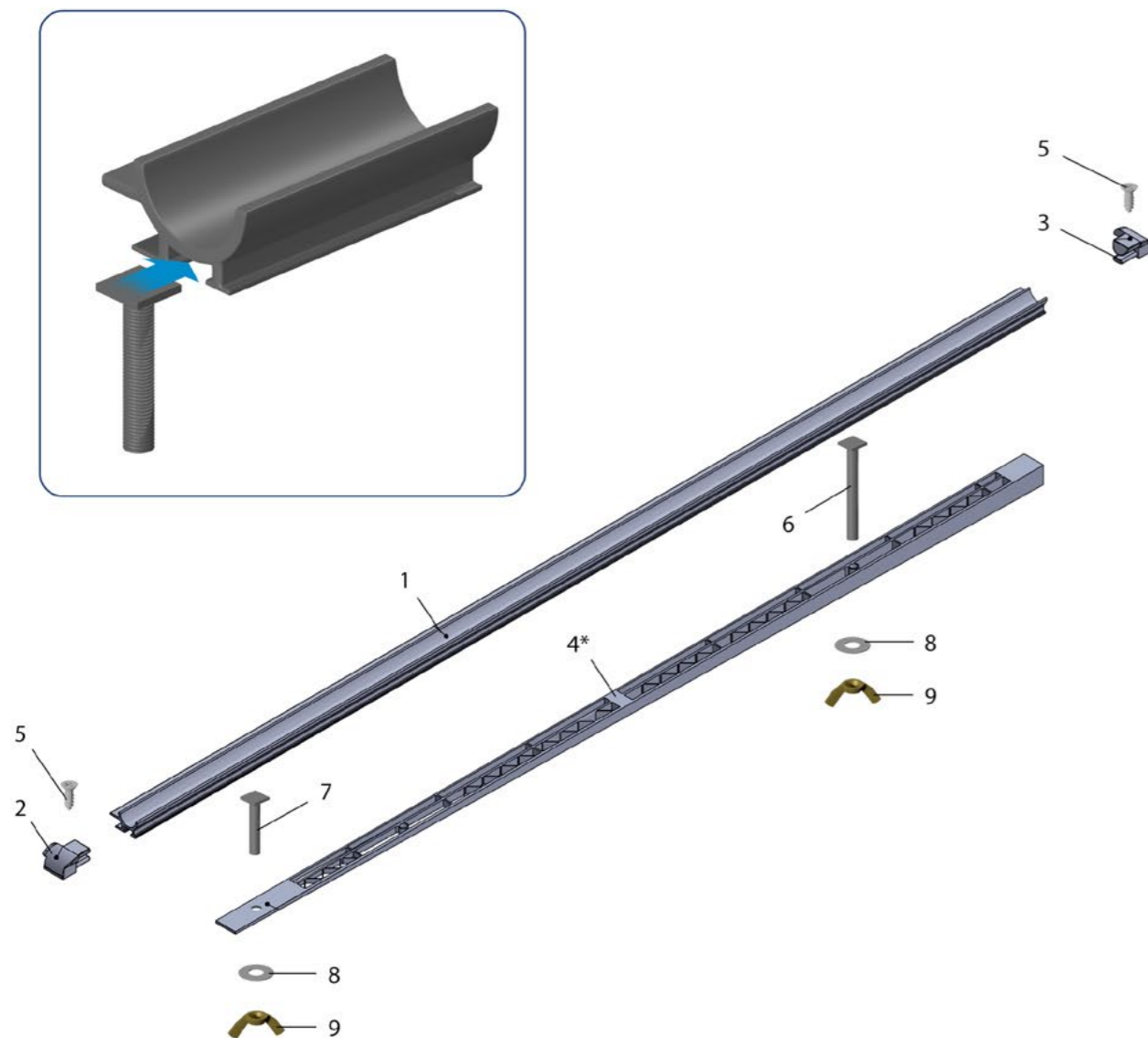


N°	Code	Description	Price
2	VACAXX23	Axle for cm 23 undercarriage	10,50
2	VACAXX25	Axle for cm 25 undercarriage	10,50
2	VACAXX28	Axle for cm 28 undercarriage	10,50
2	VACAXX30	Axle for cm 30 undercarriage	10,50
3	VACAXR17DT	Angle bar for cm 17 traditional adjustable undercarriage (right)	13,70
3	VACAXR23DT	Angle bar for cm 23 traditional adjustable undercarriage (right)	13,70
3	VACAXR25DT	Angle bar for cm 25 traditional adjustable undercarriage (right)	13,70
3	VACAXR28DT	Angle bar for cm 28 traditional adjustable undercarriage (right)	13,70
3.1	VACAXR30DT	Angle bar for cm 30 traditional adjustable undercarriage (right)	13,70
4	VACAXR17DS	Angle bar for cm 17 traditional adjustable undercarriage (left)	13,70
4	VACAXR23DS	Angle bar for cm 23 traditional adjustable undercarriage (left)	13,70
4	VACAXR25DS	Angle bar for cm 25 traditional adjustable undercarriage (left)	13,70
4	VACAXR28DS	Angle bar for cm 28 traditional adjustable undercarriage (left)	13,70
4.1	VACAXR30DS	Angle bar for cm 30 traditional adjustable undercarriage (left)	13,70
5	VACAXXR4	8 shaped nut for adjustable undercarriage	4,75
6	VACAXACHAS	Aluminum clamp for undercarriage	5,00
7	VACAXXVM4	M4 x 20 mm cross-head screw for adjustable undercarriage	0,80
8	VABXXA004A	4 mm washer	0,30
9	VABXXA006A	6 mm washer	0,30
10	VACAF1400	Nylon wheel for undercarriage	15,00
11	AVV6030A	Wheel bolt (M6 x 30)	0,60
12	VACAXXRSP	PVC wedge for adjustable undercarriage	3,50
13	AVV3595P	Self-tapping cross-head screw 3.5 x 9.5	0,50
14	VACAS1417	Carbon top seat cm 17	116,00
14	VACAS1423	Carbon top seat cm 23	116,00
14	VACAS1428	Carbon top seat cm 28	116,00
15	VACAX7023	Pad for cm 23/25 carbon top seat	6,00
15	VACAX7028	Pad for cm 28/30 carbon top seat	6,00
15	VACAX7017	Pad for cm 17 carbon top seat	6,00

*specify wheelbase

N°	Code	Description	Price
	VACAFR1017	Tradional single action adjustable seat cm 17	211,50
	VACAFR1023	Tradional single action adjustable seat cm 23	211,50
	VACAF10CHR25	Tradional single action adjustable seat cm 25	211,50
	VACAF10CHR25A	Tradional single action adjustable seat cm 25 "Aliante"	211,50
	VACAFR1028	Tradional single action adjustable seat cm 28	211,50
	VACAFR1030	Tradional single action adjustable seat cm 30	211,50
	VACAF17RT	Complete undercarriage for cm 17 traditional adjustable single action seat	140,00
	VACAF23RT	Complete undercarriage for cm 23 traditional adjustable single action seat	140,00
	VACAF25RT	Complete undercarriage for cm 25 traditional adjustable single action seat	140,00
	VACAF28RT	Complete undercarriage for cm 28 traditional adjustable single action seat	140,00
	VACAF30RT	Complete undercarriage for cm 30 traditional adjustable single action seat	140,00
1	VACAX1200R	Undercarriage U-profile for adjustable seat	16,50
2	VACAXX17	Axle for cm 17 undercarriage	10,50

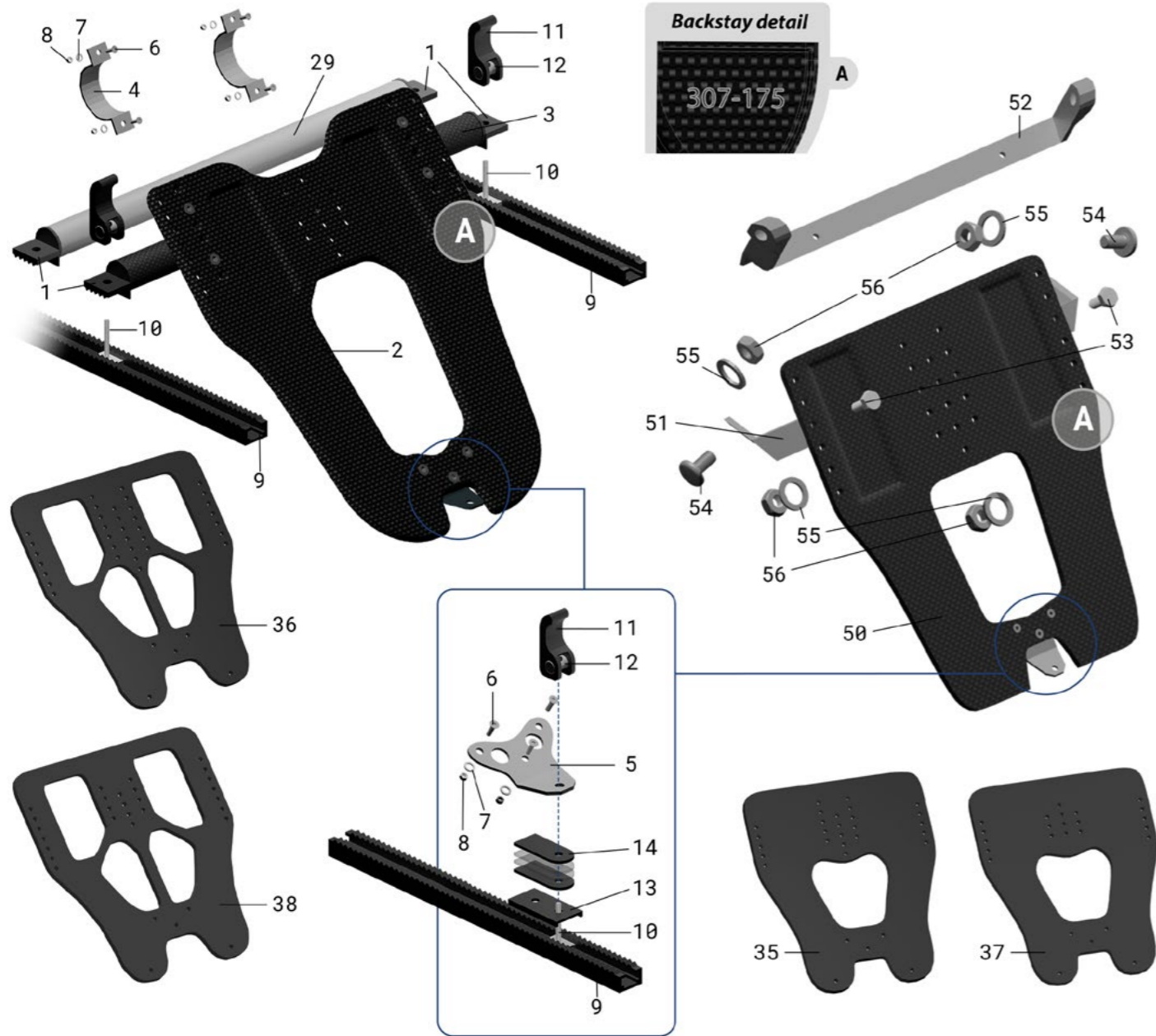
PLEASE PROVIDE BOAT SERIAL NUMBER WHEN YOU PLACE THE ORDER



N°	Code	Description	Price
	AMPGUI2	Complete rail cm 90 (left) without plastic bottom part	18,50
	AMPGUI3	Complete rail cm 90 (right) without plastic bottom part	18,50
	AMPGUIANDX	Complete rail cm 85 (right) without plastic bottom part	18,50
	AMPGUIANS	Complete rail cm 85 (left) without plastic bottom part	18,50
	VACAGUI85	Pair of complete cm 85 rails without plastic bottom part	37,00
	VACAGUI90	Pair of complete cm 90 rails without plastic bottom part	37,00
1	AMPGUIAND	Anodized profile MR73 cm 85 for rail	15,00
1	AMPGUI1	Anodized profile MR73 cm 90 for rail	15,00
2	VACAX6001	Stop end cap for rail (left)	1,20
3	VACAX6001A	Stop end cap for rail (right)	1,20
4	VACAX5010	* Rail plastic bottom part	8,00
5	AVV2995A	DIN 7982 stainless steel self tapping screw 2.9X9.5 TPS	0,30
6	AVB5037	Square head bolt 5 X 37 for rail fixing	0,90
7	AVB5020Q	Square head bolt 5 X 20 for rail fixing	0,90
8	VABXXA515A	Wide band washer 5 X 15	0,30
9	AVD5	5 mm wing nut	0,30

* sub-rail: for all boats except for 1x

PLEASE PROVIDE BOAT SERIAL NUMBER WHEN YOU PLACE THE ORDER



FOOTSTRETCHERS (after 06/2017)

N°	Code	Description	Price
		SKIFF FOOTSTRETCHER	
	VAPAC1X	* Carbon footstretcher for skiff complete with crossbar	334,00
50	VAPAC1XT	* Carbon footstretcher for skiff board only	226,00
51	VAPEX4020A	* Aluminium crossbar for footstretcher on skiffs with Aliante rigger configuration	103,00
52	VAPEX4020W	* Aluminium crossbar for footstretcher on skiffs with front wing rigger configuration	103,00
	VAP260170	* Carbon footstretcher model 260-170 complete with crossbar	334,00
50	VAP260170T	* Carbon footstretcher model 260-170 board only	226,00
	VAP260200	* Carbon footstretcher model 260-200 complete with crossbar	334,00
50	VAP260200T	* Carbon footstretcher model 260-200 board only	226,00
	VAP290210	* Carbon footstretcher model 290-210 complete with crossbar	334,00
50	VAP290210T	* Carbon footstretcher model 290-210 board only	226,00
	VAP220160	* Carbon footstretcher model 220-160 complete with crossbar	334,00
50	VAP220160T	* Carbon footstretcher model 220-160 board only	226,00

N°	Code	Description	Price
		FOOTSTRETCHER PAIRS/DOUBLES	
from 1 to 8	VAPAC2X	* Carbon footstretcher for 2x / 2- fully assembled with carbon crossbar	270,00
from 1 to 8	VAP257120	* Carbon footstretcher model 257-120 F36 / F46 complete with carbon crossbar	270,00
2	VAP257120T	* Carbon footstretcher model 257-120 F36 / F46 board only	230,00
from 1 to 8	VAP257130	* Carbon footstretcher model 257-130 complete with carbon crossbar	270,00
2	VAP257130T	* Carbon footstretcher model 257-130 board only	230,00
from 1 to 8	VAP267130	* Carbon footstretcher model 267-130 complete with carbon crossbar	270,00
2	VAP267130T	* Carbon footstretcher model 267-130 board only	230,00
from 1 to 8	VAP267130F51	* Carbon footstretcher model 267-130 F51 complete with carbon crossbar	270,00
2	VAP267130F51T	* Carbon footstretcher model 267-130 F51 board only	230,00
from 1 to 8	VAP267145	* Carbon footstretcher model 267-145 complete with carbon crossbar	270,00
2	VAP267145T	* Carbon footstretcher model 267-145 board only	230,00
		FOOTSTRETCHER FOUR/QUAD	
from 1 to 8	VAPAC4X	* Carbon footstretcher for 4x/4- fully assembled with carbon crossbar	270,00
from 1 to 8	VAP267130	* Carbon footstretcher model 267-130 complete with carbon crossbar	270,00
2	VAP267130T	* Carbon footstretcher model 267-130 board only	230,00
from 1 to 8	VAP267145	* Carbon footstretcher model 267-145 complete with carbon crossbar	270,00
2	VAP267145T	* Carbon footstretcher model 267-145 board only	230,00
from 1 to 8	VAP287125	* Carbon footstretcher model 287-125 complete with carbon crossbar	270,00
2	VAP287125T	* Carbon footstretcher model 287-125 board only	230,00
from 1 to 8	VAP287135	* Carbon footstretcher model 287-135 complete with carbon crossbar	270,00
2	VAP287135T	* Carbon footstretcher model 287-135 board only	230,00
from 1 to 8	VAP287145	* Carbon footstretcher model 287-145 complete with carbon crossbar	270,00
2	VAP287145T	* Carbon footstretcher model 287-145 board only	230,00
from 1 to 8	VAP287152	* Carbon footstretcher model 287-152 complete with carbon crossbar	270,00
2	VAP287152T	* Carbon footstretcher model 287-152 board only	230,00
from 1 to 8	VAP287160	* Carbon footstretcher model 287-160 complete with carbon crossbar	270,00
2	VAP287160T	* Carbon footstretcher model 287-160 board only	230,00
		FOOTSTRETCHER EIGHT	
from 1 to 8	VAPAC8+	* Carbon footstretcher for 8+ assembled complete with carbon crossbar	270,00
from 1 to 8	VAP307140	* Carbon footstretcher model 307-140 complete with carbon crossbar	270,00
2	VAP307140T	* Carbon footstretcher model 307-140 board only	230,00
from 1 to 8	VAP307160	* Carbon footstretcher model 307-160 complete with carbon crossbar	270,00
2	VAP307160T	* Carbon footstretcher model 307-160 board only	230,00
from 1 to 8	VAP307175	* Carbon footstretcher model 307-175 complete with carbon crossbar	270,00
2	VAP307175T	* Carbon footstretcher model 307-175 board only	230,00

FOOTSTRETCHERS ACCESSORIES

3	VAPTRACA	Carbon crossbar for footstretcher without end caps	33,00
29	VAPTRAAL	Aluminium crossbar for footstretcher without end parts	16,00
1	VAPEX4055	Nylon tube end cap	1,64
4	VAPEXCAPED	Stainless steel U-bolt for footstretcher	3,80
5	VAPEX4040	Stainless steel wing plate for footstretcher	3,50
6	AVV5016	Stainless steel countersunk cross-head screw 5 X 16	0,60
8	AVD5A	Stainless steel self-locking 5 mm nut	0,65
7	VABXXA005A	Stainless steel washer 5 mm	0,30
9	VAPEX4060	Plastic mounting bracket (1 piece)	3,10
11	VABXMCLAR	Eccentric lever for quick release fastening	3,70
12	VABXMCPF	Drilled pin for quick release fastening eccentric lever	1,80

PLEASE PROVIDE BOAT SERIAL NUMBER WHEN YOU PLACE THE ORDER

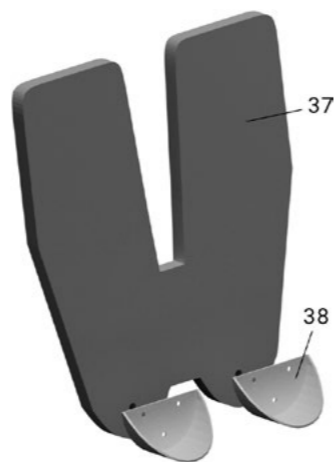
14	VAPEX4050	Spacer for footstretcher inclination adjustment	0,50
13	VAPEX4075	Rectangular wedge for plastic mounting bracket	1,50
10	AVB6027	Stainless steel bolt 6X27 with rectangular head	3,50
53	AVBA4M6016	Flanged bolt M6x16	1,50
54	AVB6025TTQ	6 X 25 bolt with square base and round head	0,80
55	VABXXA006A	6 mm washer	0,30
56	AVD6A	Self-locking M6 nut	0,90

FOOTSTRETCHERS supplied before 2017

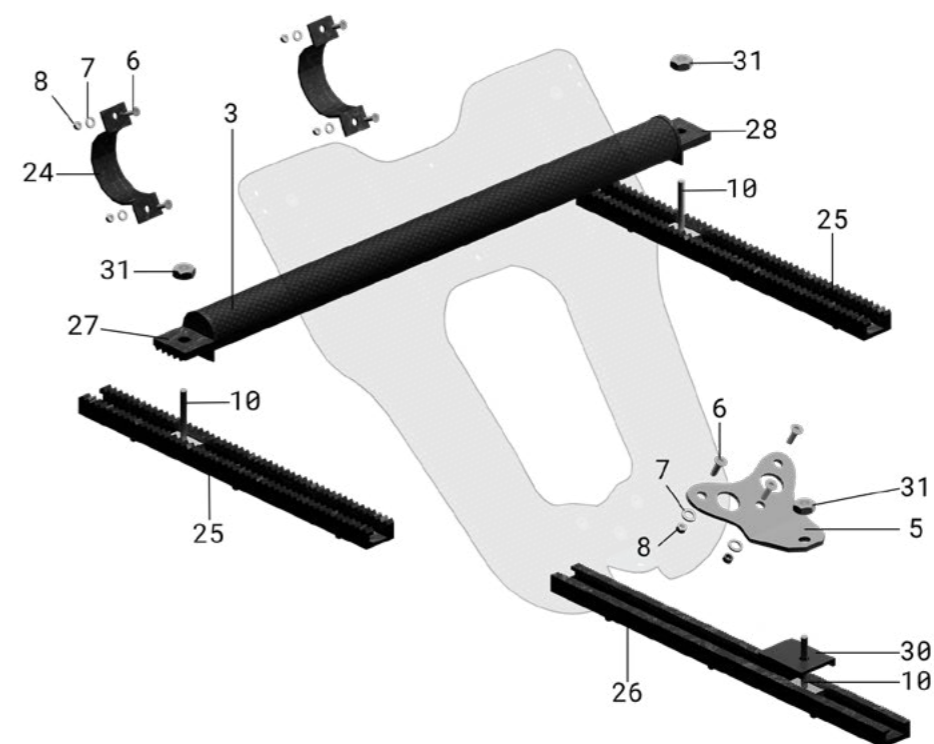
N°	Code	Description	Price
35	VAPEF2002	* Carbon board for F15	72,00
36	VAPEF2002	* Carbon board for F13 and F36	72,00
35	VAPEF2002	* Carbon board for F14, F18, F21 and F39	72,00
36	VAPEF2002	* Carbon board for all boats except those ones above	72,00
6	AVV5020	5X20 screw for U-bolt fixing	0,60
7	VABXXA005A	Stainless steel washer 5 mm	0,30
8	AVD5A	Stainless steel self-locking 5 mm nut	0,65
1	VAPEX4055	Nylon tube end cap	1,64
	AVV4035	4x35 screw for mounting bracket fixing on deckings for F11, F13, F17, F30, F31, F36 (if for athletes below 90 kg)	0,60
	AVV4025	4x25 screw for mounting bracket fixing on decking of moulds not mentioned above	0,60
	AVV3519	3.5x19 screw for mounting bracket fixing on the keel	0,60
9	VAPEX4060	Plastic mounting bracket (1 piece)	3,10
	AVV6025	M6x25 with countersunk head crossed screw	0,60
	AVBA4M6030	Flanged bolt M6x30 for standard steering plate fastening	2,42
	VAPEG3001	Hardware for standard steering plate	85,00
	AVDESAG	6 mm hex nut standard steering plate	0,68
	AVV5010	5x10 screw for shoe fixing standard system	0,60
	VAPAADI245	* Aluminum plate 245 mm for footstretcher	24,50

ADAPTIVE

N°	Code	Description	Price
37	VAPAADST	Carbon board for adaptive boats	72,00
	VAPAADCO	Complete carbon footstretcher with aluminium crossbar	110,00
38	VAPE01003	White plastic heel support	5,00
	VAPE01004	Laces for orthopedic footstretcher	4,00
	VACOPFAECS	Strap for Adaptive footstretcher Fil30	13,00



CARBON KIT



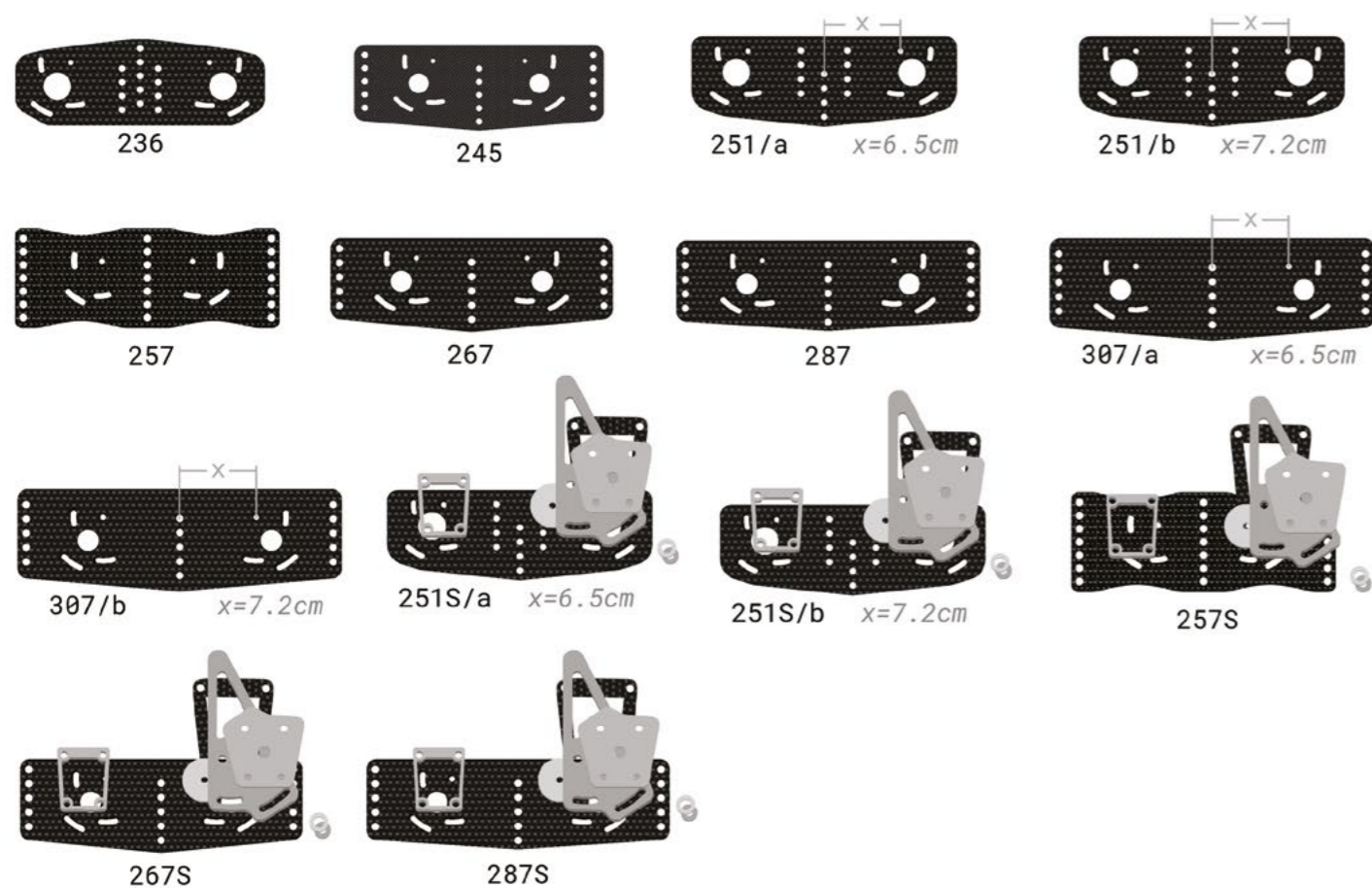
N°	Code	Description	Price
3	VAPTRACA	Carbon crossbar for footstretcher without end caps	33,00
5	VAPEX4040	Stainless steel wing plate for footstretcher	3,50
6	AVV5016	Stainless steel countersunk head crossed screw 5 X 16	0,60
7	VABXXA005A	Stainless steel washer 5 mm	0,30
8	AVD5A	Stainless steel self-locking 5 mm nut	0,65
10	AVB6027	Stainless steel bolt 6X27 with rectangular head	3,50
24	VAPEXCACC	Carbon U-bolt for footstretcher crossbar	20,50
25	VAPEX4060CC	Carbon mounting bracket - right	32,50
25	VAPEX4060CCSX	Carbon mounting bracket - left	32,50
26	VAPEXMRCC	Central carbon mounting bracket	35,00
27	VAPEX40CCSX	Carbon tube end cap- left	17,50
28	VAPEX40CCDX	Carbon tube end cap - right	17,50
30	VAPEX4080	Black pom rectangular wedge for central carbon mounting bracket	4,00
31	AVDESAG	6 mm hex nut	0,68

* PROVIDE BOAT SERIAL NUMBER AND ROWING SEAT - IF PRESENT, FOOTSTRETCHER SYMBOL (ES, 307-175) - INDICATE WHETHER THE MOUNTING BRACKET SYSTEM IS SCREWED OR GLUED TO THE BOAT.
IF GLUED, THE FOOTSTRETCHER TAKES THE "CARBON KIT" WITH RIGHT AND LEFT-HAND CARBON END PIECES for an extra cost OF €35.

** MEASURE THE WIDTH OF THE PLATE IN mm (e.g. 251) AND SPECIFY HOLES POSITION

! PLEASE PROVIDE BOAT SERIAL NUMBER WHEN YOU PLACE THE ORDER

FOR BOATS SUPPLIED AFTER 2015



1x

	F01	F07	F14	F15	F21	F22	F39	F44	F45	F47	F50	F69	F70	F72
OPTN. A	251/b	251/b	251/b	236	251/b	251/b	251/b	236	236	251/b	251/b	251/b	251/b	236
OPTN. B	267	267	267	245	267	267	267	245	245	267	267	267	267	245

2x, 2-, 2x/2-

	F13	F36	F46	F17	F24	F30	F51	F60	F68
2x	OPTN. A	251/a	251/a	251/a	251/b	251/b	251/b	251/b	251/b
	OPTN. B	257	257	257	267	267	267	267	267
2-	OPTN. A	251/a	251/a	251/a	251/a	251/a	251/a	251/a	251/a
	OPTN. B	257	257	257	267	267	267	267	267
2x/2-	OPTN. A	251/a	251/a	251/a	251/a	251/a	251/a	251/a	251/a
	OPTN. B	257	257	257	267	267	267	267	267

2+

F12
267

4x, 4-, 4x/4-, 4+, 4x+, 4x+/4+

	F11	F19	F20	F25	F28	F31	F34*	F38	F40	F43	F52	F53	F61
OPTN. A	287	287	287	287	287	287	287	287	287	267	287	287	287
OPTN. B										251/b			

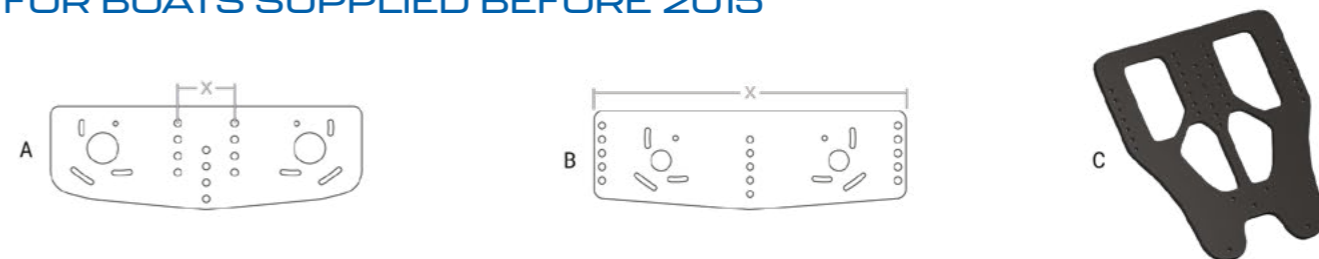
* if 4+ with bow coxwain, it must be ordered the plate 267 or 251/b If 4+ with stern coxwain, it must be ordered the plate 287

8+, 8x+, 8x+/8+

	F09	F29	F41	F42	F49	F54
OPTN. A	307/a	307/a	307/a	307/a	307/a	307/a
OPTN. B	307/b	307/b	307/b	307/b	307/b	307/b

N°	Code	Description	Price
236	VAPAP236	Carbon plate 236 mm with 3 central holes	68,50
245	VAPAP245	Carbon plate 245mm	68,50
251/a	VAPAP251S	Carbon plate 251 mm (hole spacing x=6.5cm)	68,50
251S/a	VAPAP251SG	Carbon steering plate 251mm DX (hole spacing x=6.5cm)	105,00
251S/a	VAPAP251SGSX	Carbon steering plate 251mm SX (hole spacing x=6.5cm)	105,00
251/b	VAPAP251	Carbon plate 251 mm with 3 central holes	68,50
251S/b	VAPAP251G	Carbon steering plate 251 mm DX	105,00
251S/b	VAPAP251GSX	Carbon steering plate 251 mm SX	105,00
257	VAPAP257	Carbon plate 257 mm	68,50
257S	VAPAP257R	Carbon steering plate 257 mm DX	105,00
257S	VAPAP257RSX	Carbon steering plate 257 mm SX	105,00
267	VAPAP267	Carbon plate 267 mm	68,50
267S	VAPAP267R	Carbon steering plate 267 mm DX	105,00
267S	VAPAP267RSX	Carbon steering plate 267 mm SX	105,00
287	VAPAP287	Carbon plate 287 mm	68,50
287S	VAPAP287R	Carbon steering plate 287 mm DX	105,00
287S	VAPAP287RSX	Carbon steering plate 287 mm SX	105,00
307/a	VAPAP307S	Carbon plate 307 mm (hole spacing x=6.5 cm)	68,50
307/b	VAPAP307	Carbon plate 307 mm (hole spacing x=7.2 cm)	68,50

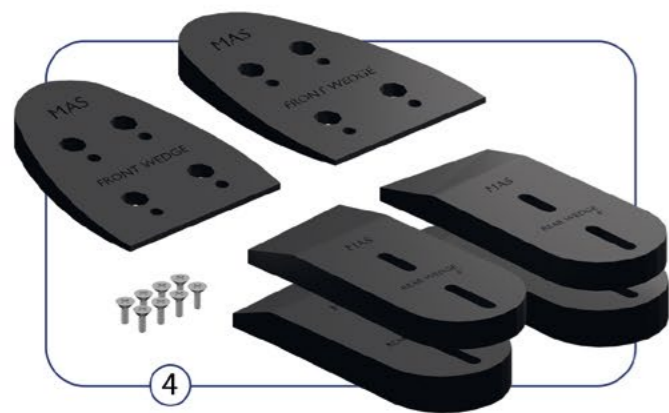
FOR BOATS SUPPLIED BEFORE 2015



Place the order with the following information:

- **boat Serial Number**
- **distance between the holes** - it can be 4,4cm or 5cm if the current plate has central holes (A)
- **overall width** if the current plate doesn't have central holes (B)
- **plate n°267** if it's an 8+ boat and has the carbon board (C)

PLEASE PROVIDE BOAT SERIAL NUMBER WHEN YOU PLACE THE ORDER

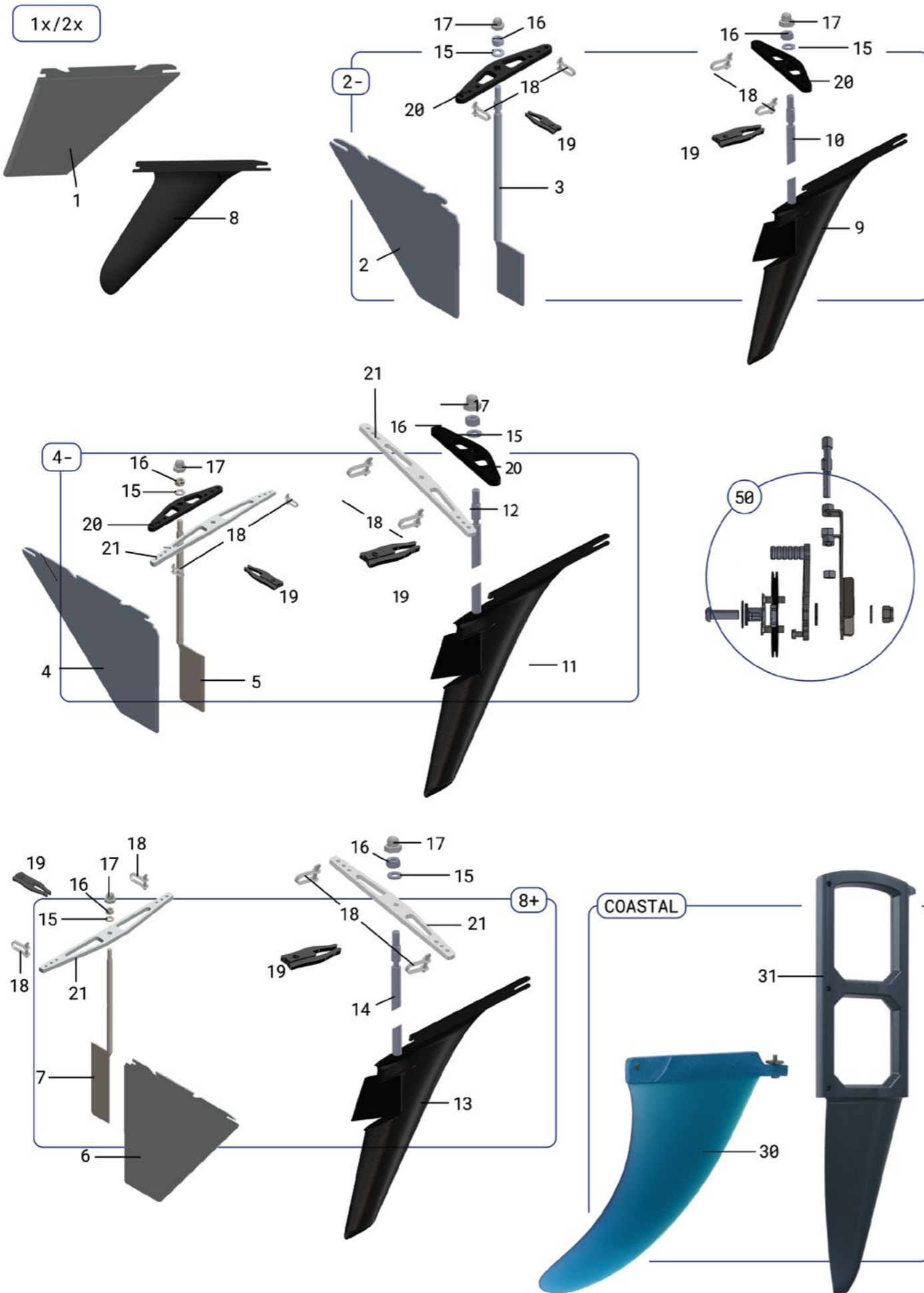


N°	Code	Description	Price
	VAPEX4001N	Black lace cm 47 for Filippi MAS shoes	0,60
1	*VAPEFXXM20	Filippi MAS 20 shoe size XX (pair)	202,00
2	AVV5010	Stainless steel countersunk cross-head screw 5 X 10 (with rectangular plate)	0,60
2	AVV5012	Stainless steel countersunk cross-head screw 5 X 12 (with steering plate)	0,60
2.1	AVV508	Stainless steel countersunk cross-head screw 5 X 8 (with pentagonal plate)	0,60
4	VABCXT47	Set of wedges from 4° to 7° for Filippi Mas shoes (6 pieces)	31,50
5	VAPEXSRM20	Safety release strap for Filippi MAS 20 shoes	3,00
6	VAPEX154042	Filippi socks size 40-42 (pair)	21,00
6	VAPEX154345	Filippi socks size 43-45 (pair)	21,00
6	VAPEX154648	Filippi socks size 46-48 (pair)	21,00
6	VAPEX154951	Filippi socks size 49-51 (pair)	21,00

* when ordering insert your shoe size (EU) in the code instead of **XX**

! PLEASE PROVIDE BOAT SERIAL NUMBER WHEN YOU PLACE THE ORDER

FINS AND RUDDERS



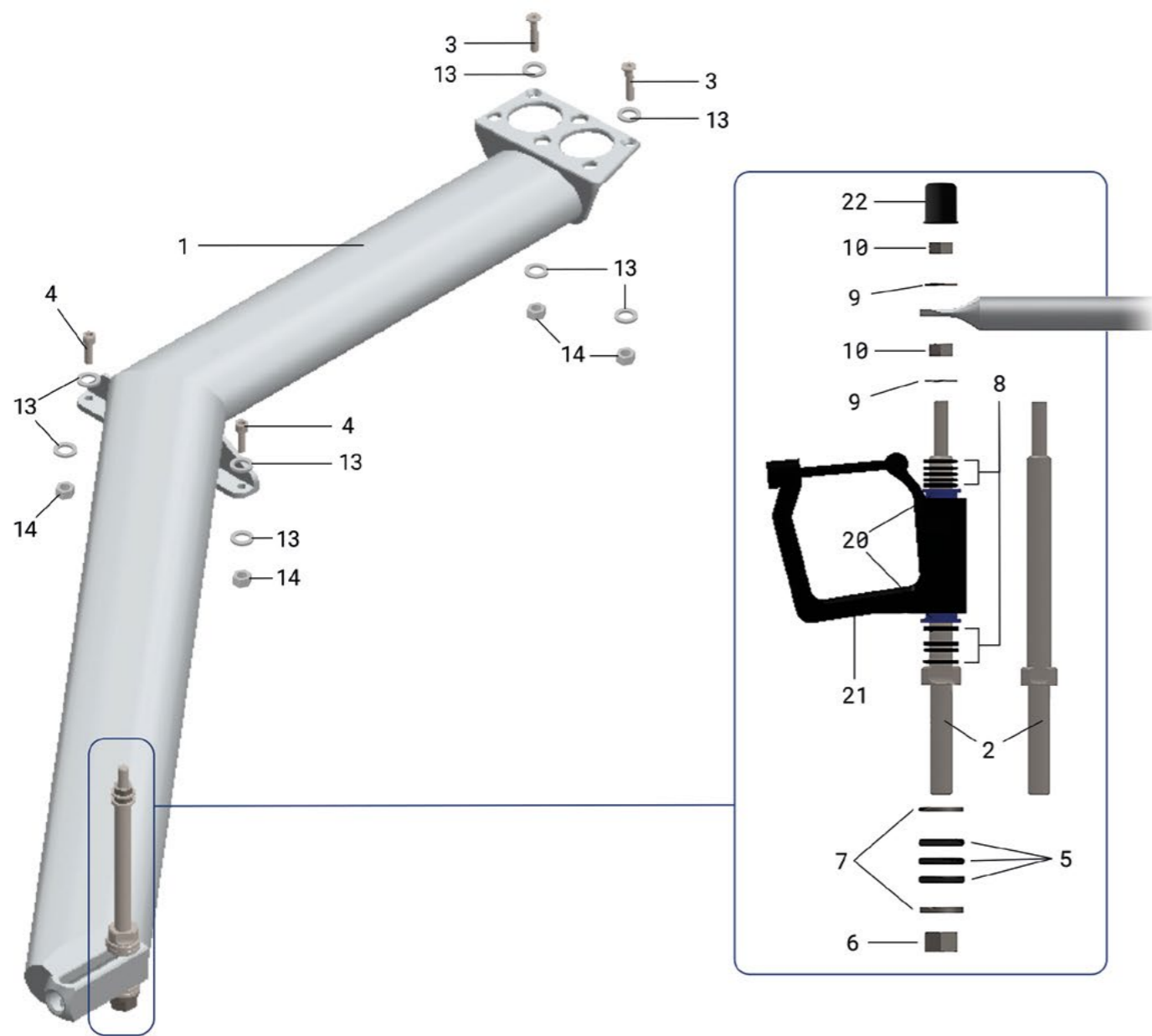
N°	Code	Description	Price
1	VAVASCD03	Aluminium fin for 1x/2x and training 1x	21,50
2	VAVASCD12	Aluminium fin for 2-	24,00
3	VAVASCT24	Stainless steel rudder for 2 - without directional bar	26,00
4	VAVASCD11	Aluminum fin for 4x, 4-, 4+	24,70
5	VAVASCT25	Stainless steel rudder for 4x, 4-, 4+ without directional bar	26,00
6	VAVASCD08	Aluminium fin for 8+	24,70
7	VAVASCT26	Stainless steel rudder for 8+ without directional bar	26,00
8	VAVASCDN	Wing shaped black anodized aluminium fin for 1x and 2x	133,00
9	VAVASCD A2	Wing shaped black anodized fin for 2-	303,00
10	VAVASCBT2	Rudder bar for 2- wing shaped steering fin	37,00
9+10	VAVASCDN12	Wing shaped black anodized steering fin for 2-	340,00
11	VAVASCD A4	Wing shaped black anodized fin for 4x and 4-	338,00
12	VAVASCBT4	Rudder bar for 4x and 4- wing shaped steering fin	37,00
11+12	VAVASCDN4N	Wing shaped black anodized steering fin for 4x and 4-	375,00
13	VAVASCD A8	Wing shaped black anodized fin for 8+	350,00
14	VAVASCB8	Rudder bar for 8+ wing shaped steering fin	40,00
13+14	VAVASCDN8N	Wing shaped black anodized steering fin for 8+	390,00
15	VABXXA006A	Stainless steel 6 mm washer UNI 6592	0,30
16	AVDESAG	6 mm hex nut A4	0,68
17	DA44 6	Stainless steel 6 mm blind nut	1,00
18	VAVASCT13	Stainless shackle for rudder bar	1,00
19	AASTAVFN	Rudder Nylon fork	1,50
20	VAVADIR2/4	Black directional rudder bar for 2 and 4 (small)	13,70
21	VAVADIR8	Aluminium directional rudder bar for 4 and 8 (large)	21,00
50	VAVASCTM8+	Rudder lever for bow coxed 4+'s	150,00
	VAVASCD09	Shaped fin for 8+	25,50
	VAVASCD10	Shaped fin for 4	25,00
	VAVASCT10	Stainless steel cable-diameter 1.5 mm (per meter)	2,00
	VAVASCT11	Sheath for stainless steel cable (per meter)	7,50
	VAVASCTDS	Black wire sleeve	1,00

		Coastal	Price
30	VAVASCD01CR	Fin for 1x (16 cm model)	73,00
30	VAVASCD02CR	Fin for 2x (18 cm model)	75,00
31	VAVASCD04CR	Fin for 4x+	240,00

PLEASE PROVIDE BOAT SERIAL NUMBER WHEN YOU PLACE THE ORDER

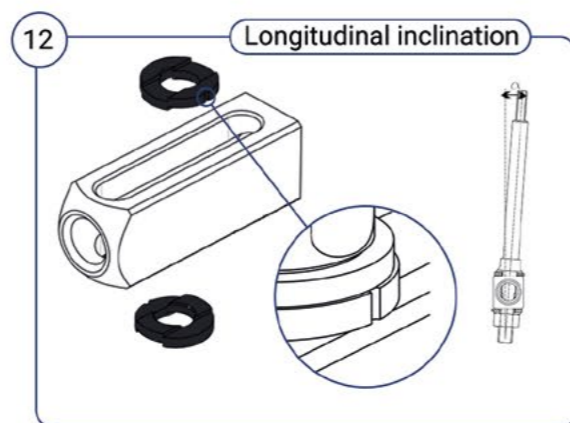
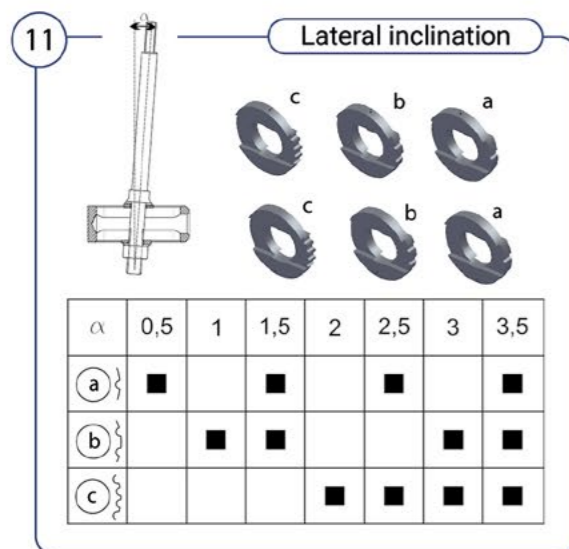
SWEEP ALUMINIUM WING RIGGER

Filippi Spare Parts List - v.35 r.6



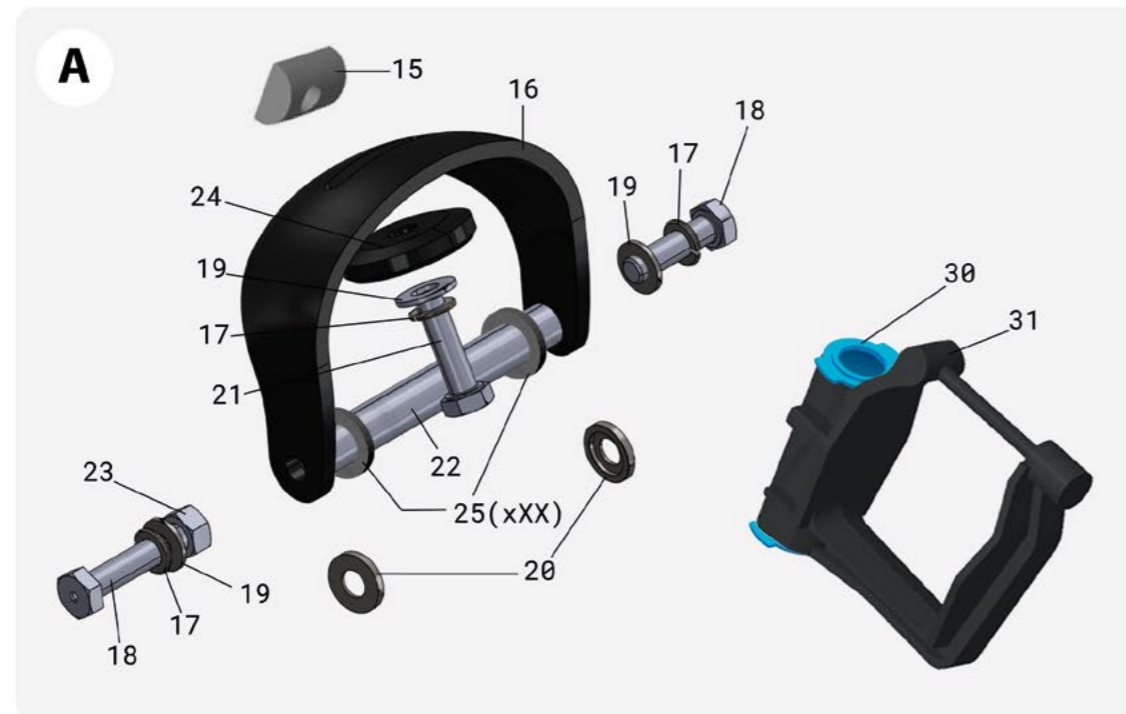
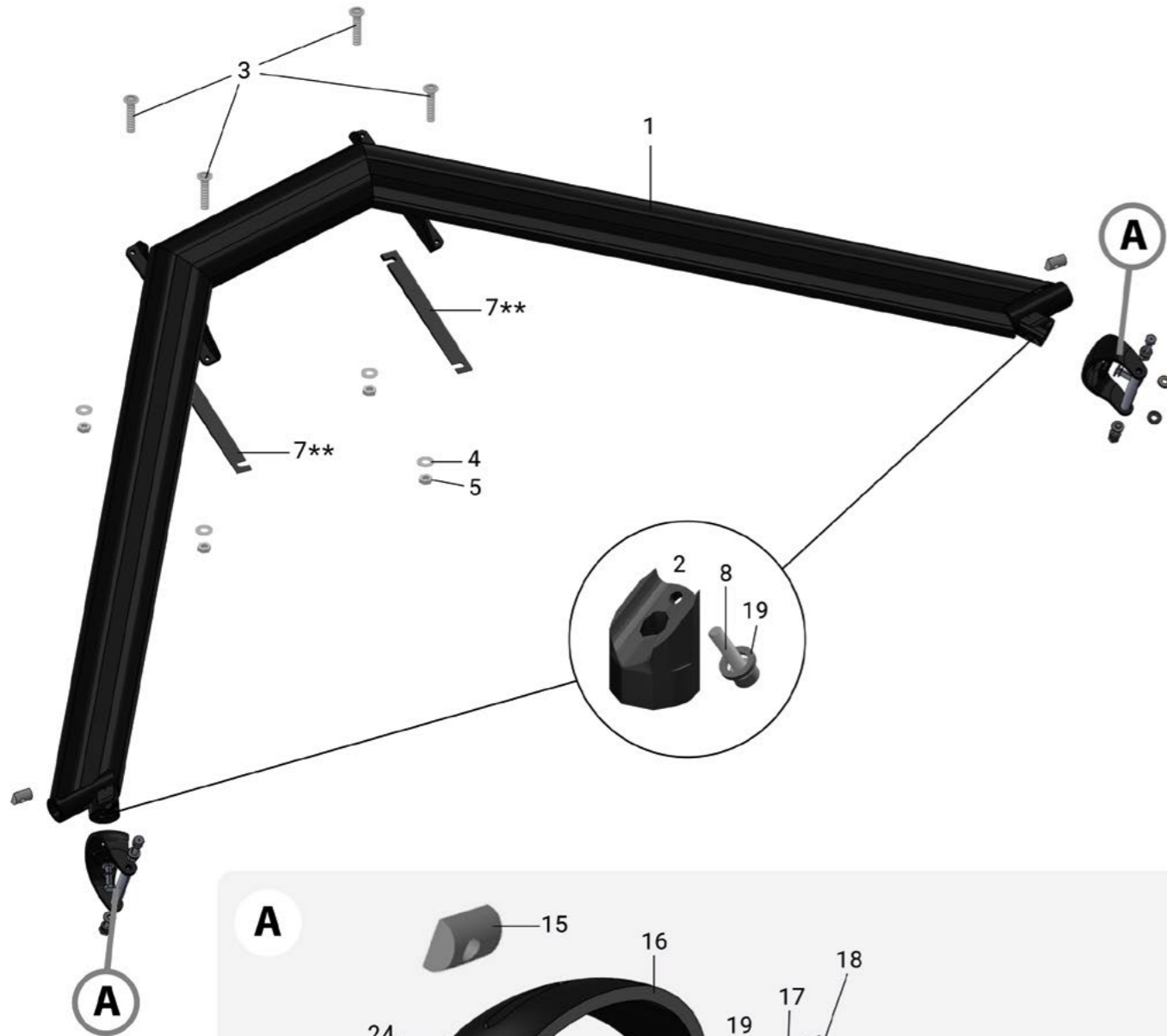
N°	Code	Description	Price
	VABPWA200	* Aluminium wing sweep rigger compl. with pin, backstay and oarlock	460,00
	VABPWA215PT	* Aluminium wing sweep rigger compl. with pin, backstay, without oarlock	444,00
	VACOPEALE24	Cover for sweep aluminium wing rigger	115,00
1	VABPWA210	* Aluminium wing sweep rigger - frame only	380,00
2	VABPXC010	Stainless steel pin for sweep oarlock	28,00
2	VABXMC048	Titanium pin for sweep oarlock	64,00
3	AVV6025BR	6 x 25 countersunk allen head screw	0,93
4	AVBA4M6030	M6 x 30 stainless steel flanged button head screw	2,42
5	VABXXT005	5 mm aluminium washer for pin height	1,65
6	AVD12UNIA	Stainless steel nut M12 self-locking	2,00
7	VABXXA012A	M12 stainless steel washer	0,60
8	VABXXM010	Black washer for pin oarlock adjustment	0,60
9	VABXXA008A	Stainless steel washer 8 mm	0,30
10	AVD8	Stainless steel nut M8	0,81
11	VABXMC070	Set of inclined washers for pin lateral adjustment (6 pcs)	16,00
12	VABXMC070L	Set of washers for pin longitudinal adjustment (4 pcs)	10,00
13	VABXXA006A	Stainless steel washer 6 mm	0,30
14	AVDESAG	Hex nut M6	0,68
20	VABCXC0473	Universal bushing for Concept 2 sweep oarlock art. 473	2,00
21	VABPXC005	Concept 2 sweep nylon oarlock	17,50
22	VABCXC006	8 mm black nut cover	0,70

* Provide the serial number of the boat and the FISA seat position



! PLEASE PROVIDE BOAT SERIAL NUMBER WHEN YOU PLACE THE ORDER

SCULL ALUMINIUM WING RIGGER ALIANTE

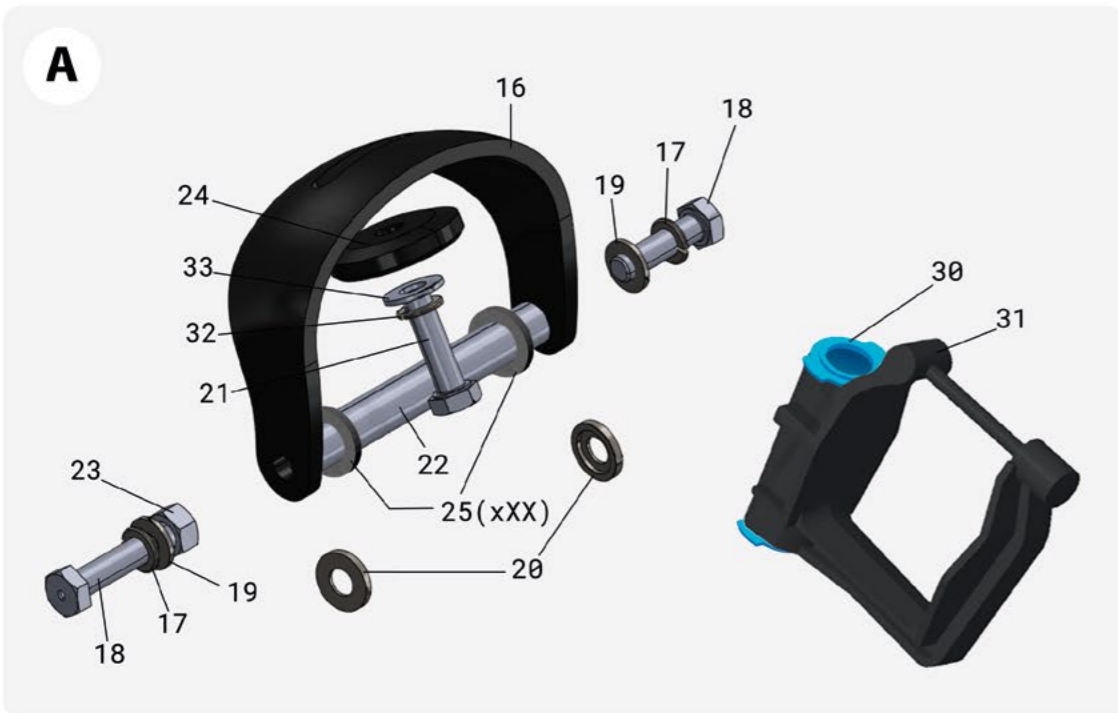
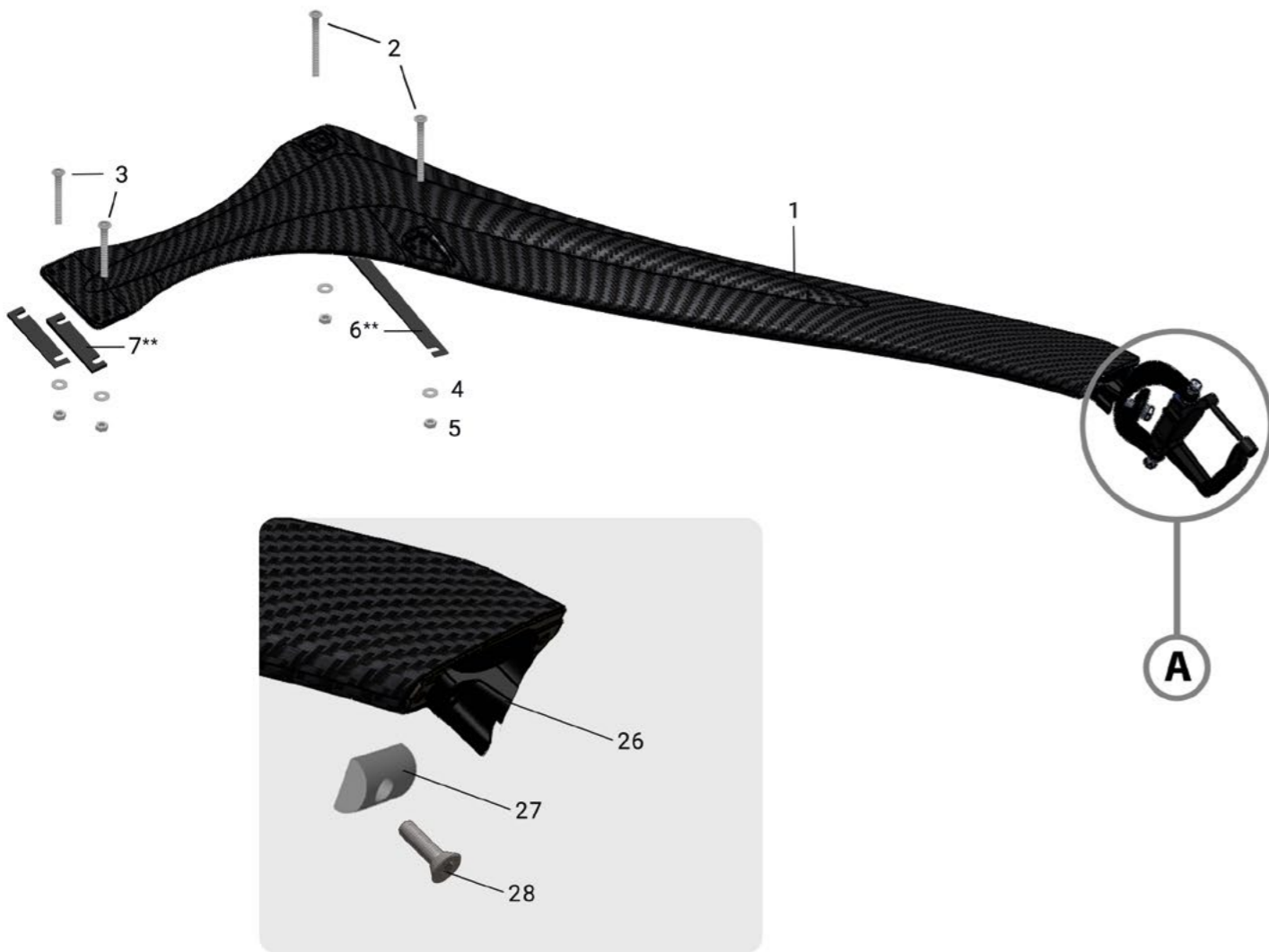


N°	Code	Description	Price
	VBCALA500	* Scull aluminium wing rigger Aliante complete with hilts, pins and oarlocks	1.020,00
	VBCALA510	* Scull aluminium wing rigger Aliante complete with hilts and pins, without oarlocks	987,00
	VACOPEAL11	Cover for scull aluminium wing rigger Aliante	125,00
1	VBCALA515	* Scull aluminium wing rigger Aliante, frame only	790,00
2	VABXALA041	Aluminium hilt holder	51,00
3	AVBA4M6030	M6 x 30 stainless steel flanged button head screw	2,42
4	VABXXA006A	Stainless steel washer 6 mm	0,30
5	AVDESAG	Hex nut M6	0,68
7	VABCXTAAP	Wedge for height regulation - 20cm	3,00
8	AVV8020C	M8 x 20 cylindrical socket head screw	1,30
HILT SECTION			
15	VABXALA030	Crescent-shaped nut for scull aluminium wing rigger Aliante	9,00
16	VABXAL010L	Aluminium light hilt for Aliante scull rigger	110,00
16+22	VABXAL015L	Aluminium light hilt for Aliante scull rigger with pin, without oarlock	125,50
16+22+31	VABXAL020L	Aluminium light hilt for Aliante scull rigger with pin and oarlock	143,00
17	VABXXGL8	8mm grower washer	1,80
18	AVB830ES	M8 x 30 center bolt	2,42
19	VABXXA008A	Stainless steel flat washer 8 mm	0,30
20	VABXXGL8E	8mm worked washer for hilt	7,00
21	AVBA48035	Hex head screw M8 x 35	1,30
22	VABXMC045L	7075 light alloy anodized pin for hilt	15,50
23	AVD8	Stainless steel nut M8	0,81
24	VABXMC105	Large aluminium washer for scull hilt blocking	5,50
25	VABXXM010	Black washer for oarlock height adjustment	0,60
30	VABCXC0474	Universal bushing for Concept II scull oarlock art. 474	2,00
31	VABCXC005	Concept 2 scull nylon oarlock	17,50
HILT, PIN AND OARLOCK BEFORE FEB 2022			
16	VABXAL010	Aluminium hilt without pin and oarlock for Aliante rigger (before Feb 2022)	110,00
16+22	VABXAL015	Aluminium hilt with pin, without oarlock for Aliante rigger (before Feb 2022)	125,50
16+22+31	VABXAL020	Aluminium hilt with pin and oarlock for Aliante rigger (before Feb 2022)	143,00
22	VABXMC045	7075 light alloy anodized pin for hilt (before Feb 2022)	15,50

* Provide the serial number of the boat and the FISA seat position
 ** Optional

PLEASE PROVIDE BOAT SERIAL NUMBER WHEN YOU PLACE THE ORDER

SWEEP CARBON WING RIGGER ALIANTE

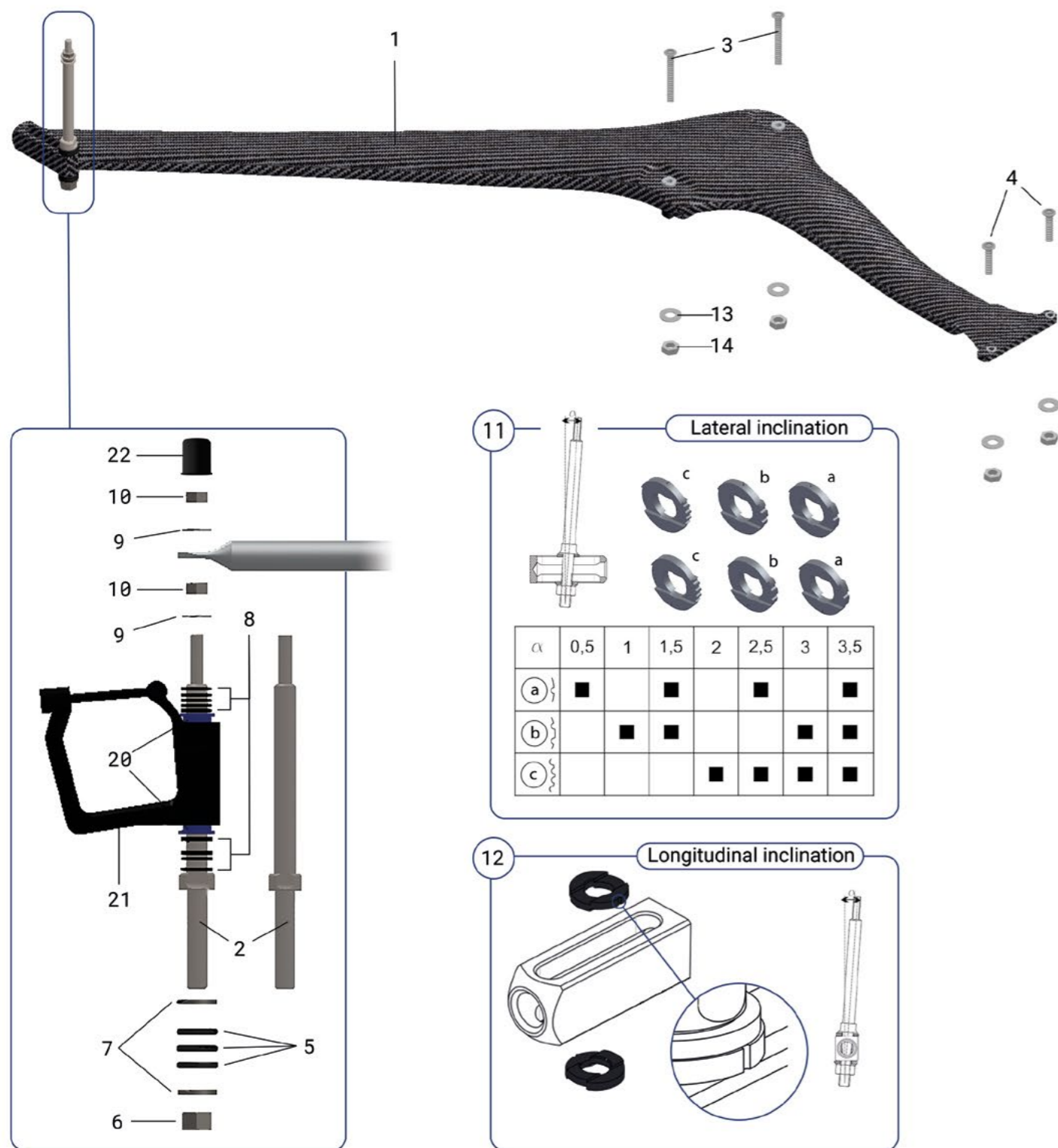


N°	Code	Description	Price
	VABPC001	*Sweep carbon wing rigger Aliante complete with hilt, pin and oarlock	2.065,00
	VABPC001SC	*Sweep carbon wing rigger Aliante complete with hilt, without oarlock	2.050,00
1	VABPC001SS	*Sweep carbon wing rigger Aliante - frame only	1.855,00
	VACOPEAL27	Cover for sweep carbon wing rigger Aliante	115,00
3	AVBA4M6030	M6 x 30 stainless steel flanged button head screw	2,42
2	AVBAM608704	M6 x 70 stainless steel flanged button head screw	2,42
4	VABXA006A	Stainless steel washer 6 mm	0,30
5	AVDESAG	Hex nut M6	0,68
6**	VABCXTAAP	Wedge for height regulation - 20cm	3,00
7**	VABCXTACZP	Wedge for sweep carbon wing rigger Aliante height regulation 1 - 3 mm	1,00
7**	VABCXTACZP5	Wedge for sweep carbon wing rigger Aliante height regulation 3 - 5 mm	1,00
26	VABXF3IN1	Hilt holder for sweep carbon wing rigger Aliante 3 in 1	50,00
27	VABXALA031	Crescent-shaped nut for scull carbon wing rigger Aliante	9,00
28	AVV8030CR	8x30 cylindrical lowered socket head screw	3,50
HILT SECTION			
16	VABXAL010	Aluminium sweep hilt without pin and oarlock for Aliante rigger	110,00
16+22	VABXAL015	Aluminium sweep hilt with pin, without oarlock for Aliante rigger	125,50
16+22+31	VABXAL020	Aluminum sweep hilt with pin and oarlock for Aliante rigger	143,00
17	VABXXGL8	8mm grower washer	1,80
18	AVB830ES	M8 x 30 center bolt	2,42
19	VABXA008A	Stainless steel flat washer 8 mm	0,30
20	VABXXGL8E	8mm worked washer for hilt	7,00
21	AVBA4M10X35	Hex head screw M10 x 35	1.30
22	VABXMC045	7075 light alloy anodized sweep pin	15,50
23	AVD8	Stainless steel nut M8	0,81
32	VABXA0010A	10 mm grower washer	1,80
33	VABXXGL10	Stainless steel washer 10 mm	0.30
24	VABXXGAL10	Large aluminium washer M10 for sweep hilt blocking	5,50
25	VABXXM010	Black washer for oarlock height adjustment	0,60
30	VABCXC0473	Universal bushing for Concept 2 sweep oarlock art. 473	2,00
31	VABPXC005	Concept 2 sweep nylon oarlock	17,50

* Provide the serial number of the boat and the FISA seat position

** Optional

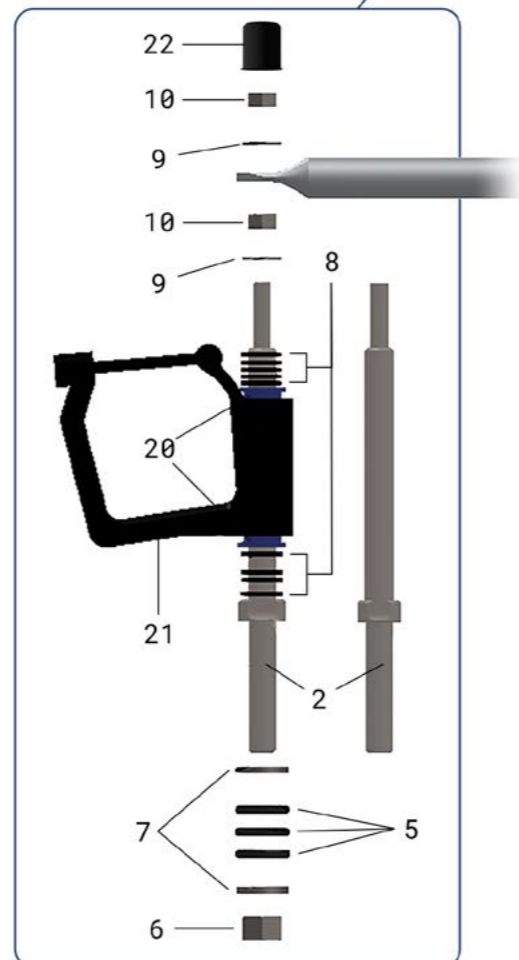
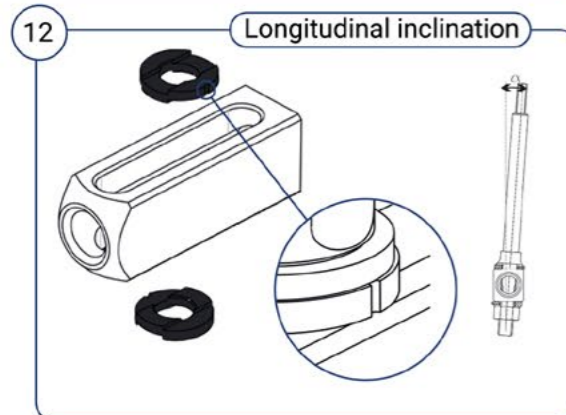
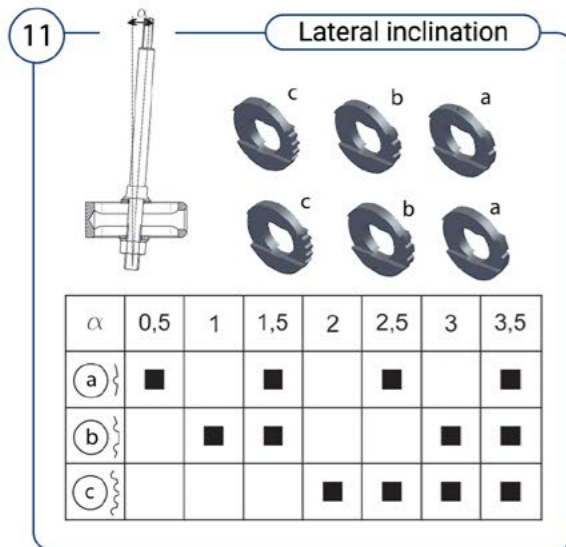
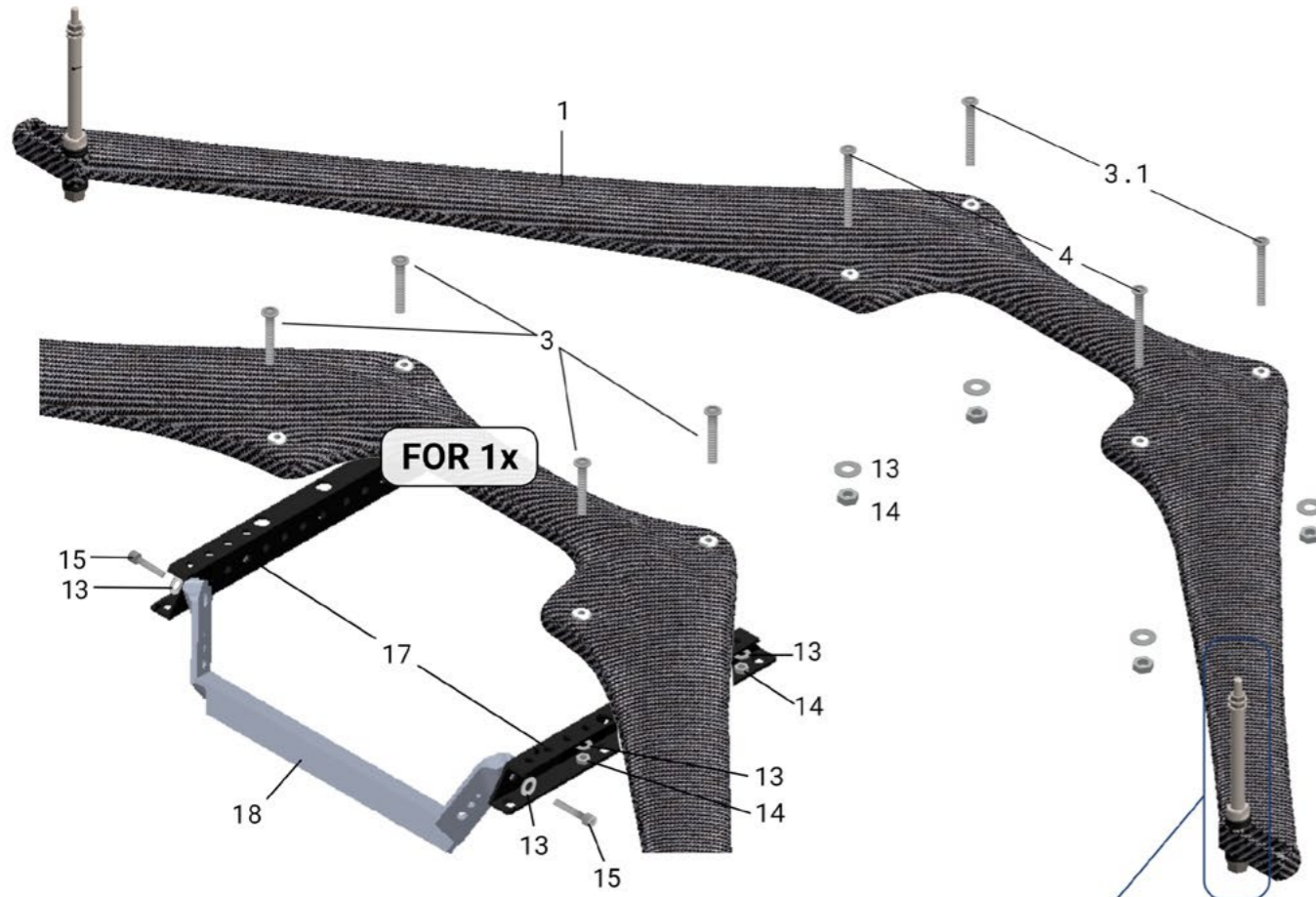
PLEASE PROVIDE BOAT SERIAL NUMBER WHEN YOU PLACE THE ORDER



N°	Code	Description	Price
	VABPWC000	*Sweep monolithic carbon wing sweep rigger complete with backstay, pin and oarlock	1.045,00
	VABPWC015	*Sweep monolithic carbon wing sweep rigger complete with backstay, stainless steel pin,without oarlock	995,00
	VABPWC015PT	*Sweep monolithic carbon wing sweep rigger complete with backstay, titanium pin without oarlock	1.030,00
	VACOPEALE24	Cover for sweep monolithic carbon wing rigger	115,00
1	VABPWC000S	* Sweep monolithic carbon wing rigger - frame only	945,00
2	VABPXC010	Stainless steel pin for sweep oarlock	28,00
2	VABXMC048	Titanium pin for sweep oarlock	64,00
3	AVBAMM608704	M6 x 70 stainless steel flanged button head screw	2,42
4	AVBA4M6030	M6 x 30 stainless steel flanged button head screw	2,42
5	VABXXT005	5 mm aluminium washer for pin height	1,65
6	AVD12UNIA	Stainless steel nut M12 self-locking	2,00
7	VABXXA012A	M12 stainless steel washer	0,60
8	VABXXM010	Black washer for oarlock height adjustment	0,60
9	VABXXA008A	Stainless steel washer 8 mm	0,30
10	AVD8	Stainless steel nut M8	0,81
11	VABXMC070	Set of inclined washers for pin lateral adjustment (6 pcs)	16,00
12	VABXMC070L	Set of washers for pin longitudinal adjustment (4 pcs)	10,00
13	VABXXA006A	Stainless steel washer 6 mm	0,30
14	AVDESAG	Hex nut M6	0,68
20	VABCXC0473	Universal bushing for Concept 2 sweep oarlock art. 473	2,00
21	VABPXC005	Concept 2 sweep nylon oarlock	17,50
22	VABCXC006	8 mm black nut cover	0,70

* Provide the serial number of the boat and the FISA seat position

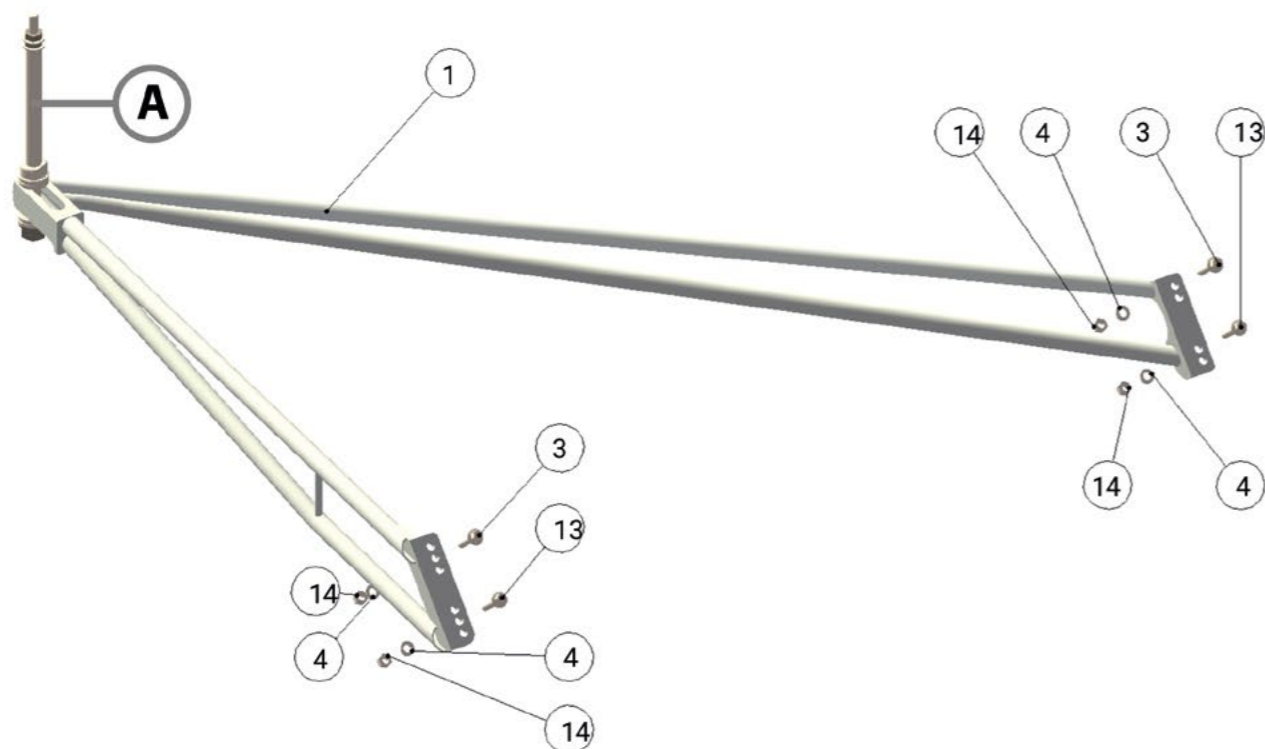
PLEASE PROVIDE BOAT SERIAL NUMBER WHEN YOU PLACE THE ORDER



N°	Code	Description	Price
	VABCWC000PT	*Scull monolithic carbon wing rigger complete with backstays, pins and oarlocks	1.995,00
	VABCWC015PT	*Scull monolithic carbon wing rigger complete with backstays, pins,without oarlocks	1.960,00
	VACOPEAL23	Cover for scull monolithic carbon wing rigger	125,00
1	VABCWC010S	* Scull monolithic carbon wing rigger - frame only	1.630,00
2	VABCXC010	Stainless steel pin for scull oarlock	25,50
2	VABXMC047	Titanium pin for scull oarlock	64,00
3	AVBA4M6050	M6 x 50 stainless steel flanged button head screw for 1x	2,42
3.1	AVBAMM608704	M6 x 70 stainless steel flanged button head screw for 2x and 4x	2,42
4	AVBAMM60804	M6 x 80 stainless steel flanged button head screw for 2x and 4x	2,42
5	VABXXT005	5 mm aluminium washer for pin height	1,65
6	AVD12UNIA	Stainless steel nut M12 self-locking	2,00
7	VABXXA012A	M12 stainless steel washer	0,60
8	VABXXM010	Black washer for oarlock height adjustment	0,60
9	VABXXA008A	Stainless steel washer 8 mm	0,30
10	AVD8	Stainless steel nut M8	0,81
11	VABXMC070	Set of inclined washers for pin lateral adjustment (6 pcs)	16,00
12	VABXMC070L	Set of washers for pin longitudinal adjustment (4 pcs)	10,00
13	VABXXA006A	Stainless steel washer 6 mm	0,30
14	AVDESAG	Hex nut M6	0,68
15	AVV6020A	M6 x 20 cylindrical socket head screw	0,60
17	VABCWC015	Anodized aluminium block for wing rigger 1x	78,00
18	VAPEX4020W	Aluminium crossbar for wing rigger 1x	103,00
20	VABCXC0474	Universal bushing for Concept II scull oarlock art. 474	2,00
21	VABCXC005	Concept 2 scull nylon oarlock	17,50
22	VABCXC006	8 mm black nut cover	0,70

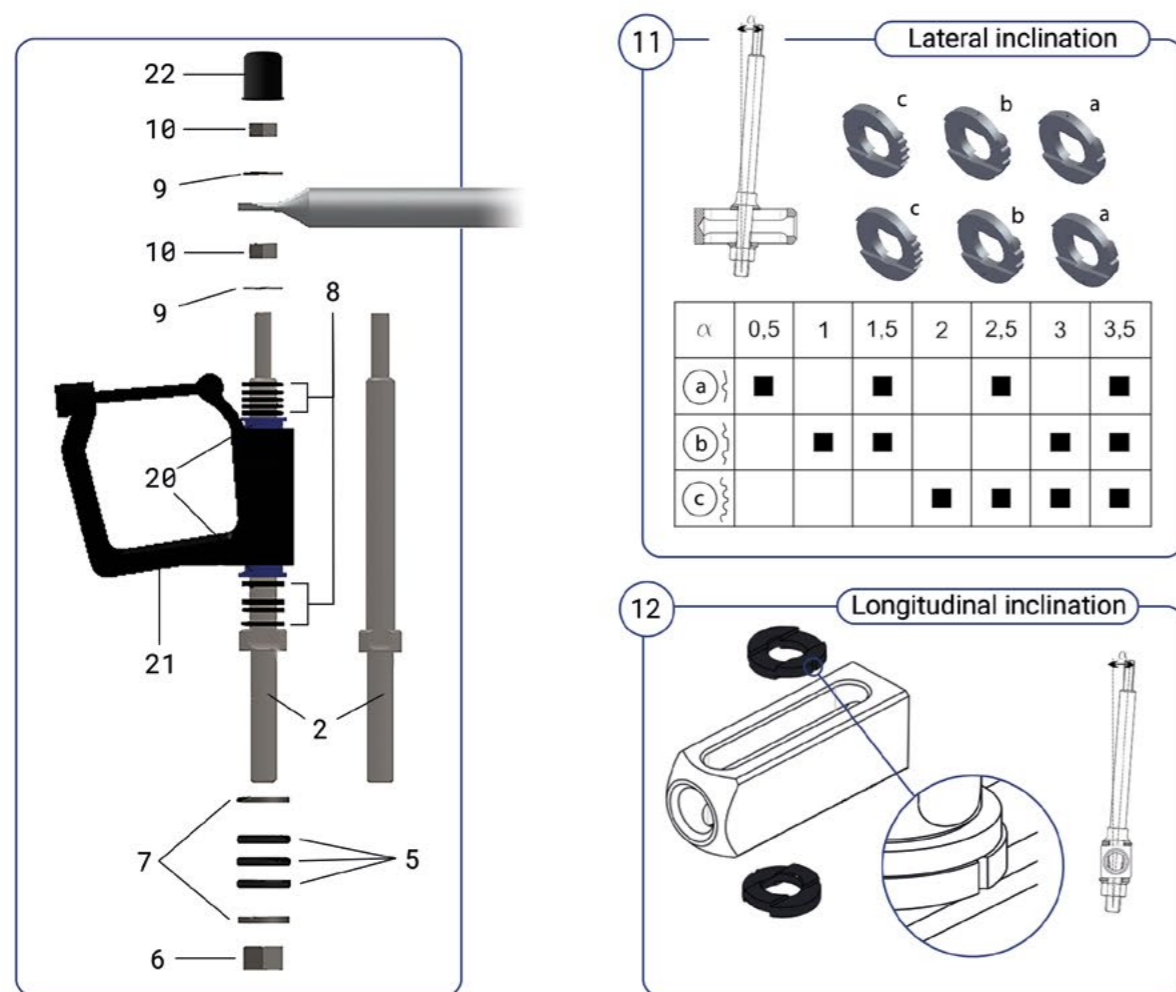
* Provide the serial number of the boat and the FISA seat position
 ** Optional

PLEASE PROVIDE BOAT SERIAL NUMBER WHEN YOU PLACE THE ORDER



N°	Code	Description	Price
	VABP5T000	* 4 stay aluminium sweep rigger complete with backstay, pin and oarlock	270,00
	VABP5T015	* 4 stay aluminium sweep rigger complete with backstay, pin, without oarlock	250,00
1	VABP4T010	* 4 stay aluminium sweep rigger - frame only	200,00
2	VABPXC010	Stainless steel pin for sweep oarlock	28,00
2	VABXMC048	Titanium pin for sweep oarlock	64,00
3	AVBA4M6040	M6 x 40 stainless steel flanged button head screw	2,42
4	VABXXA006A	6 mm washer	0,30
5	VABXXT005	5 mm aluminium washer for pin height	1,65
6	AVD12UNIA	Stainless steel nut M12 self-locking	2,00
7	VABXXA012A	M12 stainless steel washer	0,60
8	VABXXM010	Black washer for oarlock height adjustment	0,60
9	VABXXA008A	Stainless steel washer 8 mm	0,30
10	AVD8	Stainless steel nut M8	0,81
11	VABXMC070	Set of inclined washers for pin lateral adjustment (6 pcs)	16,00
12	VABXMC070L	Set of washers for pin longitudinal adjustment (4 pcs)	10,00
13	AVBA4M6050	M6 x 50 stainless steel flanged button head screw	2,42
14	AVDESAG	Hex nut M6	0,68
20	VABCXC0473	Universal bushing for Concept 2 sweep oarlock art. 473	2,00
21	VABPXC005	Concept 2 sweep nylon oarlock	17,50
22	VABCXC006	8 mm black nut cover	0,70

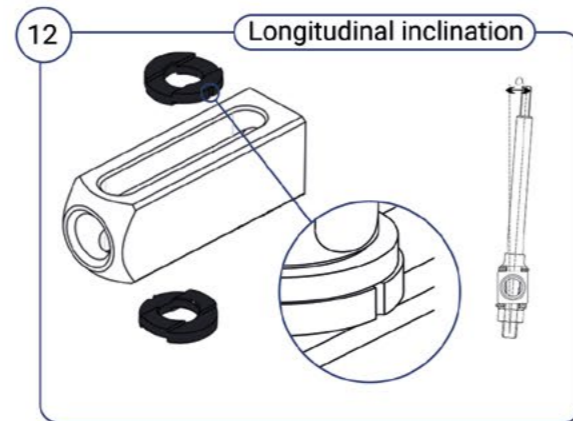
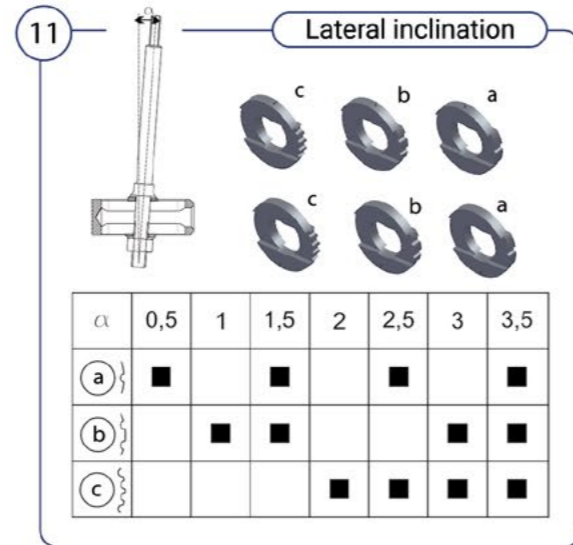
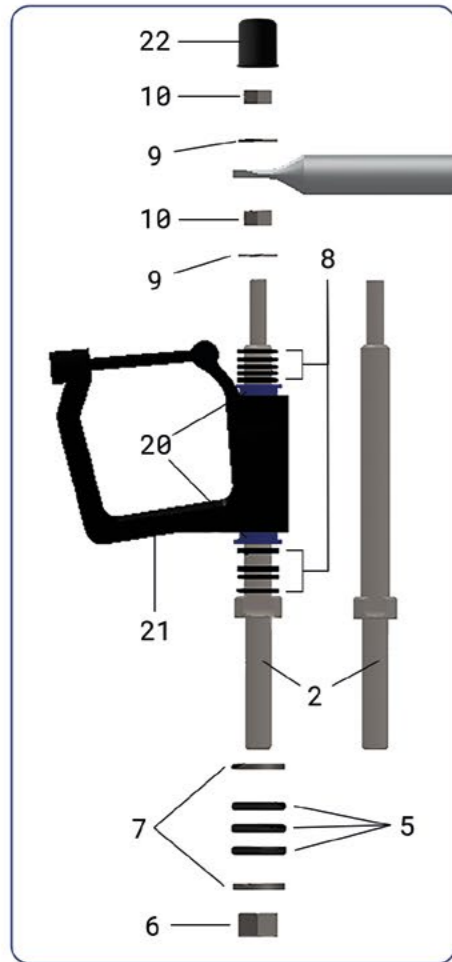
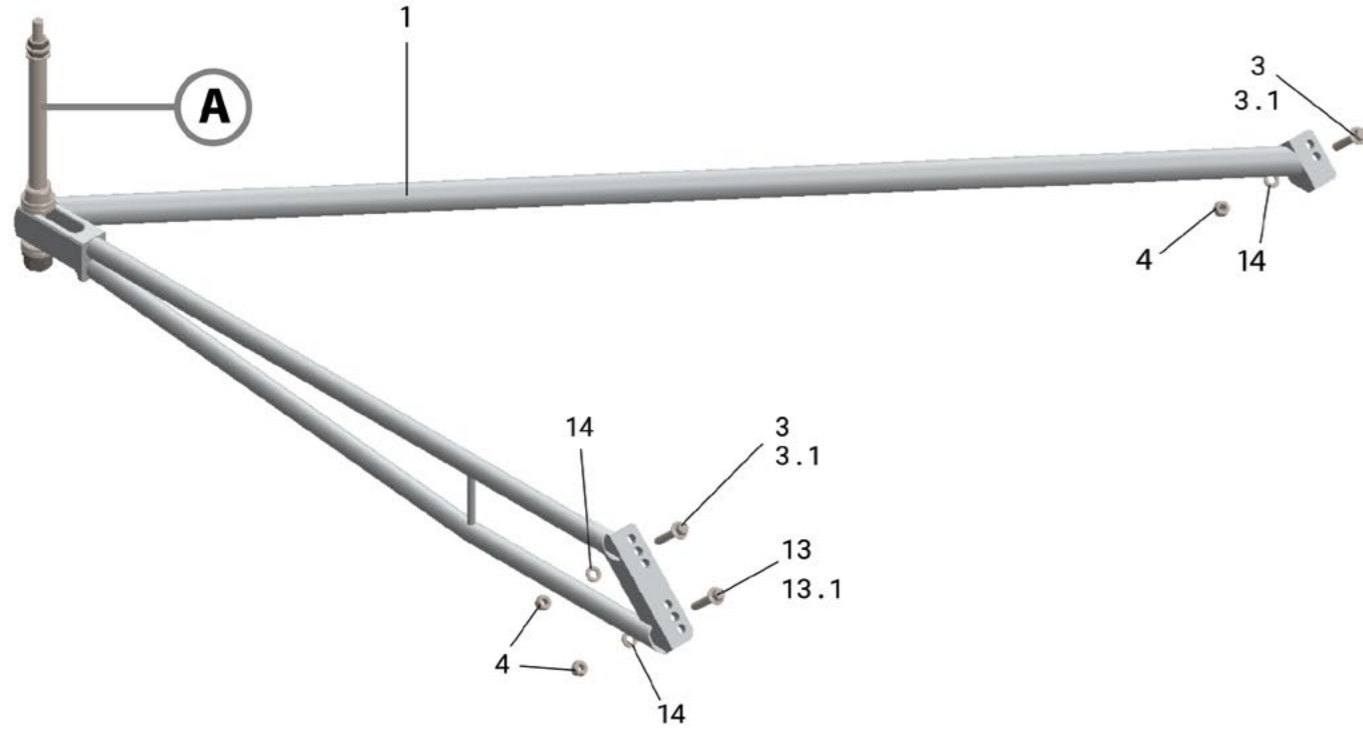
* Provide the serial number of the boat and the FISA seat position



PLEASE PROVIDE BOAT SERIAL NUMBER WHEN YOU PLACE THE ORDER

3 STAY SCULL ALUMINIUM RIGGER

Filippi Spare Parts List - v.35 r.6



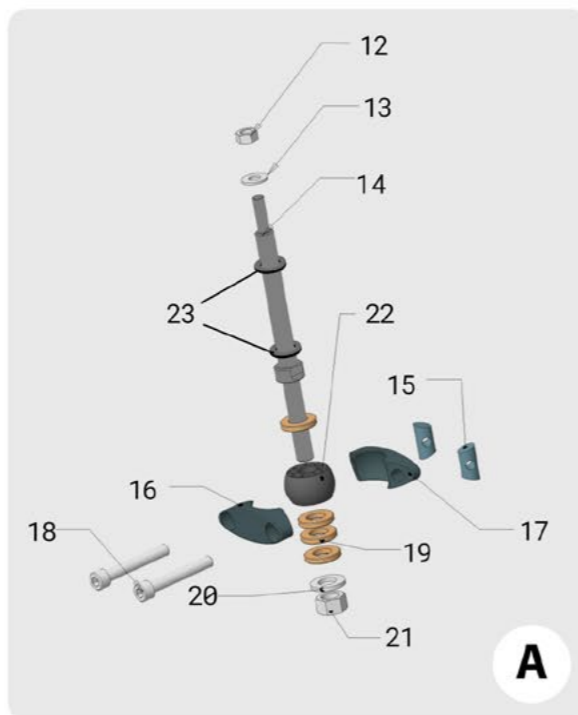
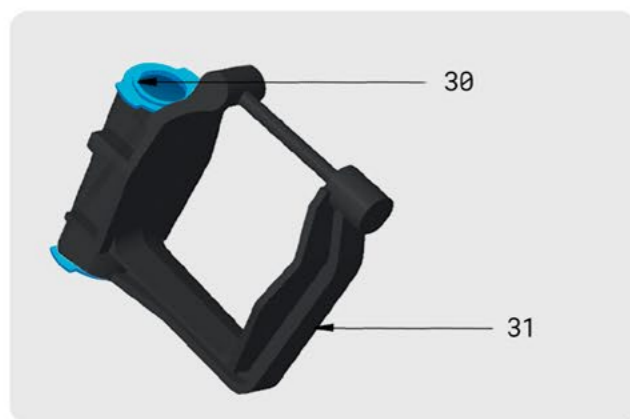
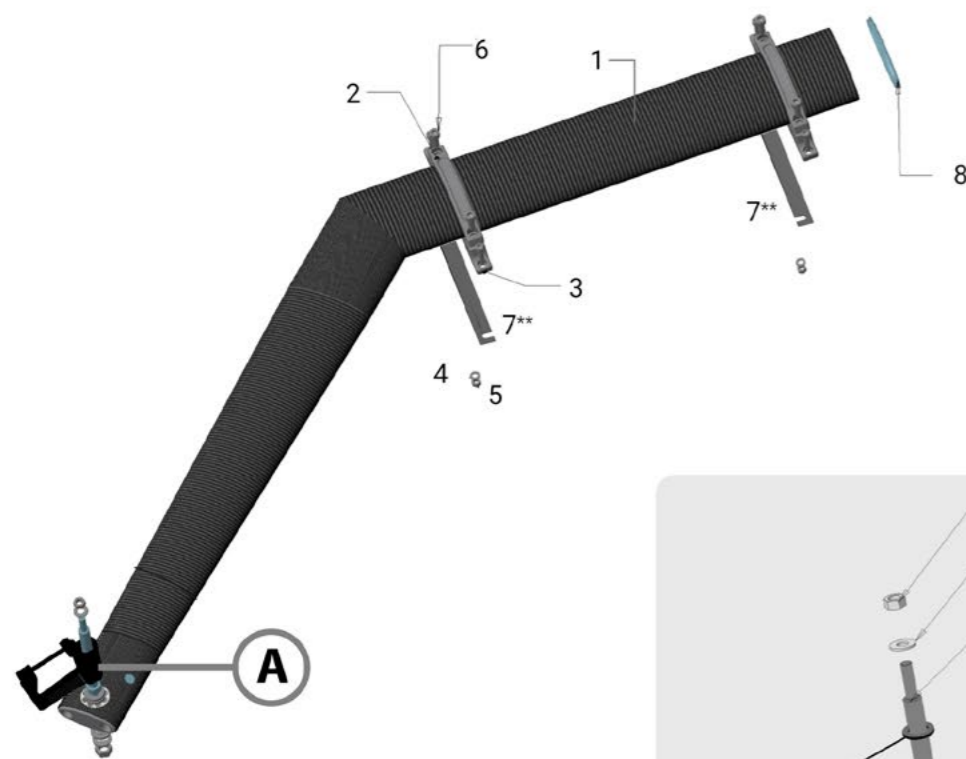
N°	Code	Description	Price
	VABC3T015	* 3 stay aluminium scull rigger complete with backstay, pin, without oarlock	245,00
	VABC3T016	* 3 stay aluminium scull rigger complete with backstay, pin and oarlock	265,00
1	VABC3T010	* 3 stay aluminium scull rigger - frame only	195,00
2	VABCXC010	Stainless steel pin for scull oarlock	25,50
2	VABXMC047	Titanium pin for scull oarlock	64,00
3	AVBA4M6030	M6 x 30 stainless steel flanged button head screw for 1x	2,42
3.1	AVBA4M6040	M6 x 40 stainless steel flanged button head screw for 2x and 4x	2,42
4	AVDESAG	Hex nut M6	0,68
5	VABXXT005	5 mm aluminium washer for pin height	1,65
6	AVD12UNIA	Stainless steel nut M12 self-locking	2,00
7	VABXXA012A	M12 stainless steel washer	0,60
8	VABXXM010	Black washer for oarlock height adjustment	0,60
9	VABXXA008A	Stainless steel washer 8 mm	0,30
10	AVD8	Stainless steel nut M8	0,81
11	VABXMC070	Set of inclined washers for pin lateral adjustment (6 pcs)	16,00
12	VABXMC070L	Set of washers for pin longitudinal adjustment (4 pcs)	10,00
13	AVBA4M6040	M6 x 40 stainless steel flanged button head screw for 1x	2,42
13.1	AVBA4M6050	M6 x 50 stainless steel flanged button head screw for 2x and 4x	2,42
14	VABXXA006A	6 mm washer	0,30
20	VABCXC0474	Universal bushing for Concept II scull oarlock art. 474	2,00
21	VABCXC005	Concept 2 scull nylon oarlock	17,50
22	VABCXC006	8 mm black nut cover	0,70

* Provide the serial number of the boat and the FISA seat position

PLEASE PROVIDE BOAT SERIAL NUMBER WHEN YOU PLACE THE ORDER

SWEEP CARBON WING RIGGER (360° pitch)

Filippi Spare Parts List - v.35 r.6



N°	Code	Description	Price
	VABPWCC	*360° pitch sweep carbon wing rigger complete with clamps, backstay, pin and oarlock	1.040,00
	VABPWCP	*360° pitch sweep carbon wing rigger complete with pin and clamp, without oarlock	1.020,00
1	VABPWCS	*360° pitch sweep carbon wing frame, with clamps only	950,00
2	ASPALLGSP	Upper clamp for 360° pitch sweep carbon wing rigger fixing	39,00
3	ASPALLGIP	Lower clamp for 360° pitch sweep carbon wing rigger fixing	39,00
4	VABXXA006A	Stainless steel washer 6 mm	0,30
5	AVDESAG	Hex nut M6	0,68
6	AVV815MC	M8 x 15 cylindrical socket head screw	1,10
7	VABCXTAP	Wedge for 360° pitch sweep carbon wing rigger height regulation	1,58
8	VABXWC050	Aluminium end cap for 360° pitch sweep carbon wing rigger	27,50
12	AVD8	Stainless steel nut M8	0,81
13	VABXXA008A	Stainless steel washer 8 mm	0,30
14	VABPXC010	Stainless steel pin for sweep oarlock	28,00
14	VABXMC048	Titanium pin for sweep oarlock	64,00
15	ASPALLM8	Cylindrical nut M8 for sphere blocking on 360° pitch sweep carbon wing rigger	7,50
16	ASPALLTCGI	Outer sphere holder for 360° pitch sweep carbon wing rigger	23,00
17	ASPALLTCG1	Inner sphere holder for 360° pitch sweep carbon wing rigger	23,00
18	AVV855	8 x 55 cylindrical socket head screw	1,50
19	VABXXT005	5 mm aluminium washer for pin height	1,65
20	VABXXA012A	M12 stainless steel washer	0,60
21	AVD12UNIA	Stainless steel nut M12 self-locking	2,00
22	ASPALLTP	Sphere for 360° pitch sweep carbon wing sweep	120,00
23	VABXXM010	Black washer for oarlock height adjustment	0,60
30	VABCXC0473	Universal bushing for Concept 2 sweep oarlock art. 473	2,00
31	VABPXC005	Concept 2 sweep nylon oarlock	17,50
	VACOPEALE24	Cover for sweep monolithic carbon wing rigger	115,00

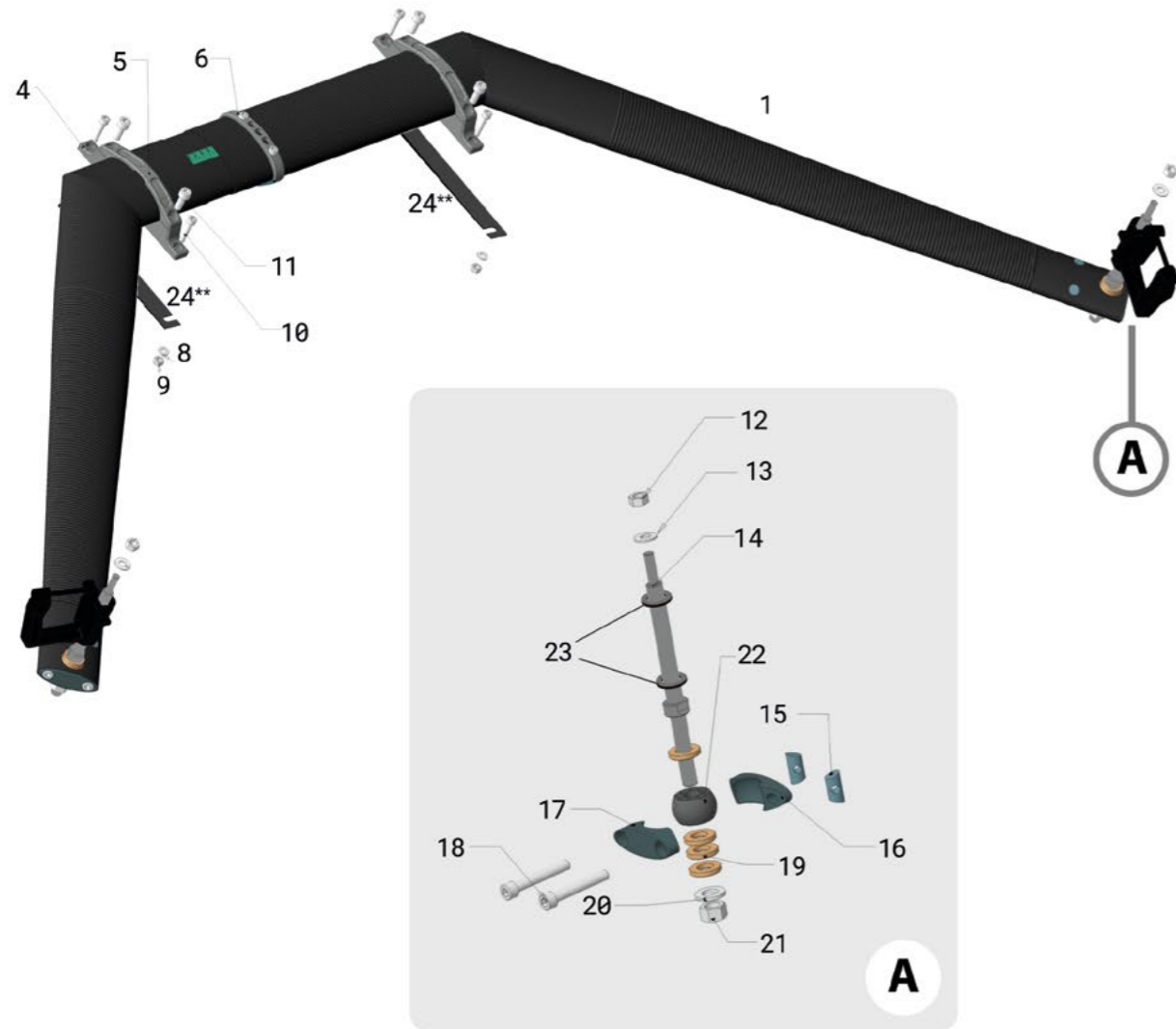
* Provide the serial number of the boat and the FISA seat position

** Optional

PLEASE PROVIDE BOAT SERIAL NUMBER WHEN YOU PLACE THE ORDER

SCULL CARBON WING RIGGER (360° pitch)

Filippi Spare Parts List - v.35 r.6



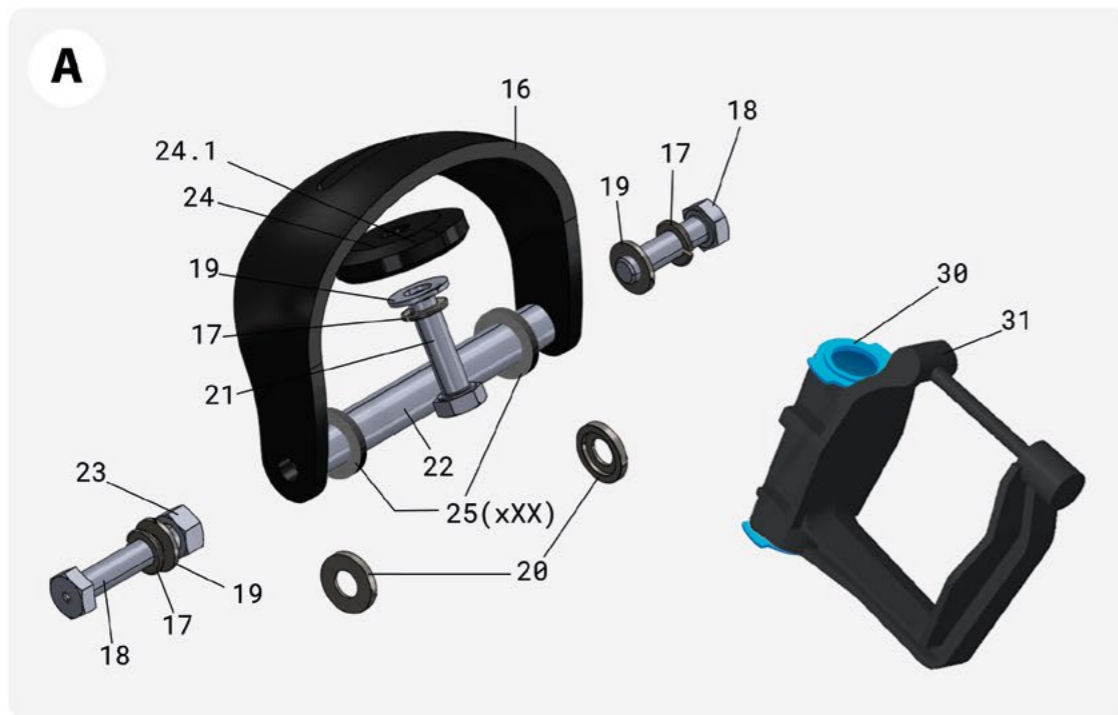
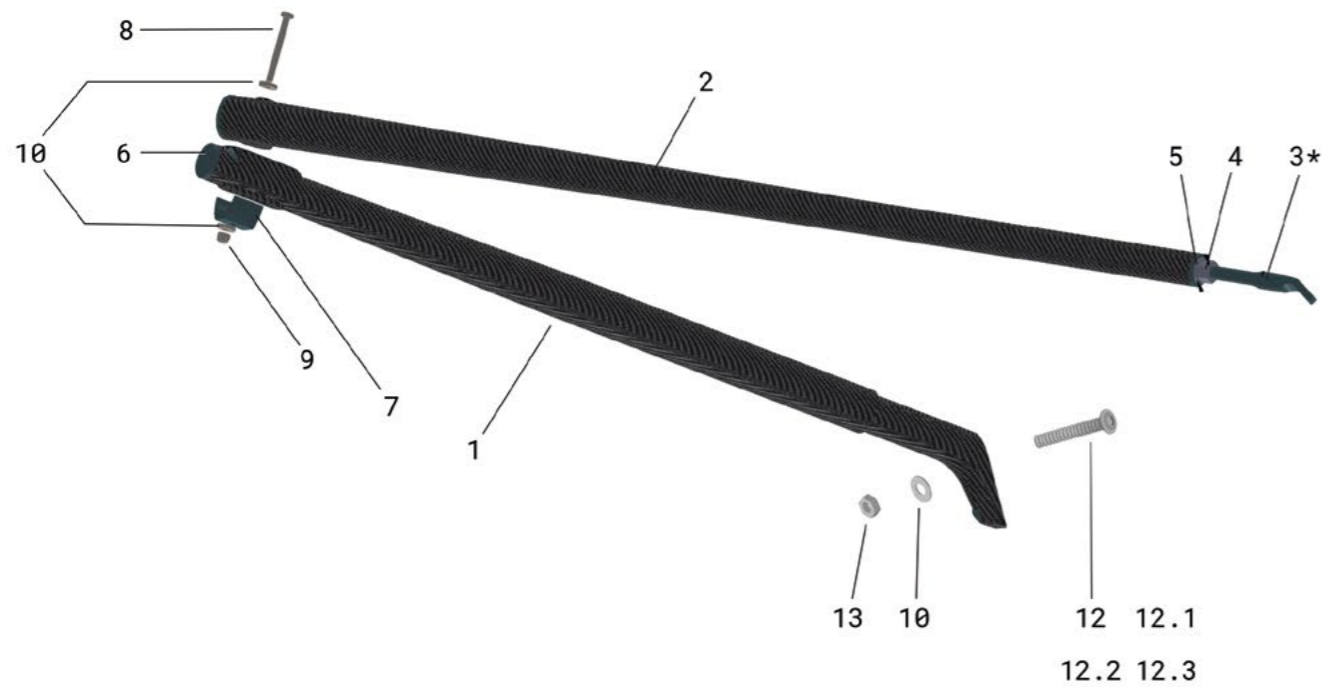
N°	Code	Description	Price
	VABCWCCC	*360° pitch scull carbon wing rigger complete with clamps, backstays, pins and oarlocks	2.015,00
1	VABCWCSC	*360° pitch scull carbon wing frame, with clamps only	1.850,00
	VABCWCPC	*360° pitch scull carbon wing rigger complete with pins and clamps, without oarlocks	1.980,00
4	ASPALLGI	Lower clamp for 360° pitch scull carbon wing rigger fixing	33,50
5	ASPALLGS	Upper clamp for 360° pitch scull carbon wing rigger fixing	33,50
6	VABCWC050	Aluminium clamp for 360° pitch scull carbon wing rigger components fixing, complete with screws	35,00
8	VABXXA006A	Stainless steel washer 6 mm	0,30
9	AVDESAG	Hex nut M6	0,68
10	AVV6030A	M6 x 30 cylindrical socket head screw	0,60
11	AVV815MC	M8 x 15 cylindrical socket head screw	1,10
12	AVD8	Stainless steel nut M8	0,81
13	VABXXA008A	Stainless steel washer 8 mm	0,30
14	VABXMC047	Titanium pin for scull oarlock	64,00
14	VABCXC010	Stainless steel pin for scull oarlock	25,50
15	ASPALLM8	Cylindrical nut M8 for sphere blocking on 360° pitch scull carbon wing rigger	7,50
16	ASPALLTCGI	Outer sphere holder for 360° pitch scull carbon wing rigger	23,00
17	ASPALLTCG1	Inner sphere holder for 360° pitch scull carbon wing rigger	23,00
18	AVV855	8 x 55 cylindrical socket head screw	1,50
19	VABXXT005	5 mm aluminium washer for pin height	1,65
20	VABXXA012A	M12 stainless steel washer	0,60
21	AVD12UNIA	Stainless steel nut M12 self-locking	2,00
22	ASPALLTC	Sphere for 360° pitch scull carbon wing sweep	95,00
23	VABXXM010	Black washer for oarlock height adjustment	0,60
24	VABCXTAA	Wedge for scull wing rigger height regulation	2,50
30	VABCXC0474	Universal bushing for Concept II scull oarlock art. 474	2,00
31	VABCXC005	Concept 2 scull nylon oarlock	17,50
	VACOPEAL23	Cover for scull monolithic carbon wing rigger	125,00

* Provide the serial number of the boat and the FISA seat position

** Optional

PLEASE PROVIDE BOAT SERIAL NUMBER WHEN YOU PLACE THE ORDER

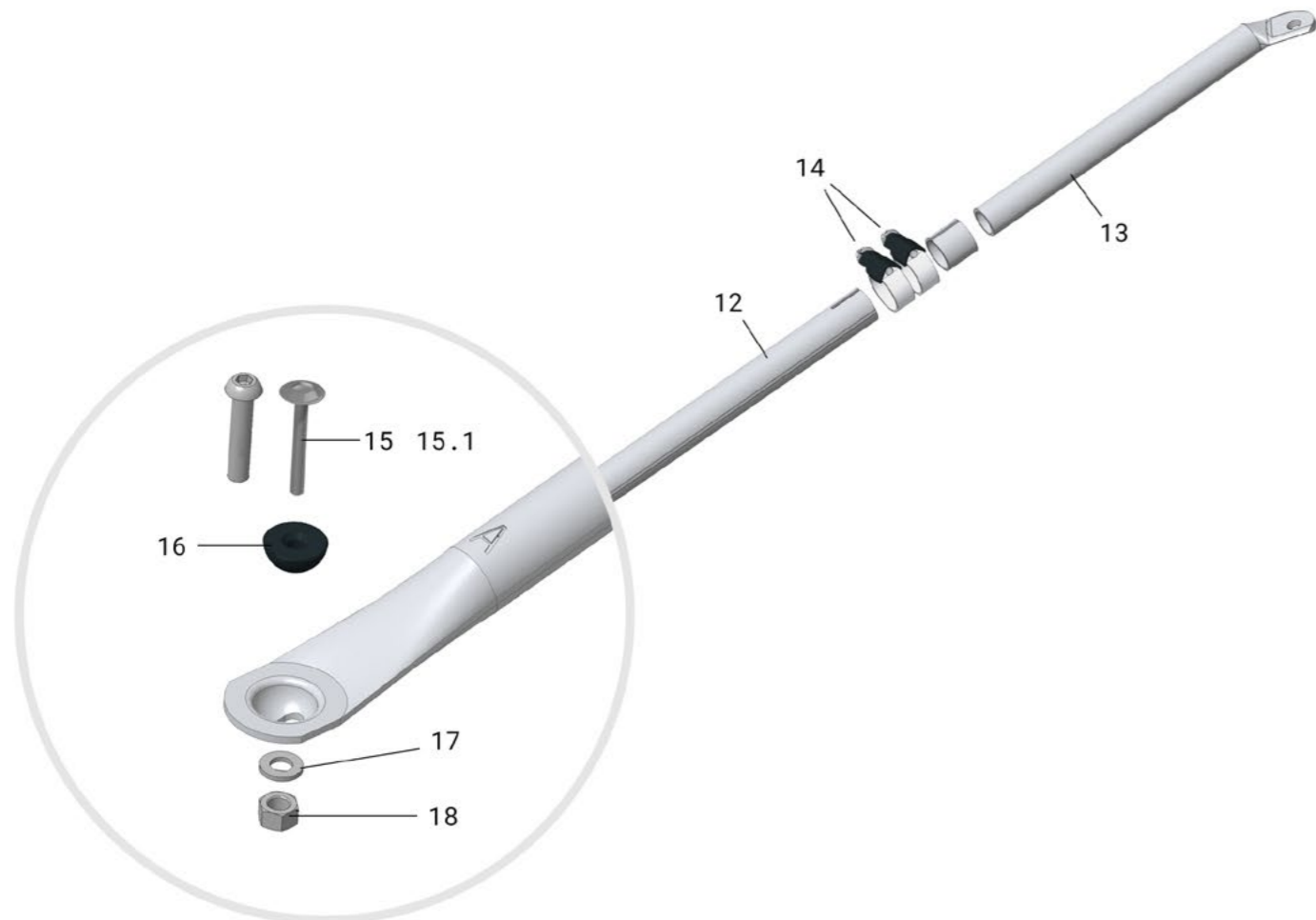
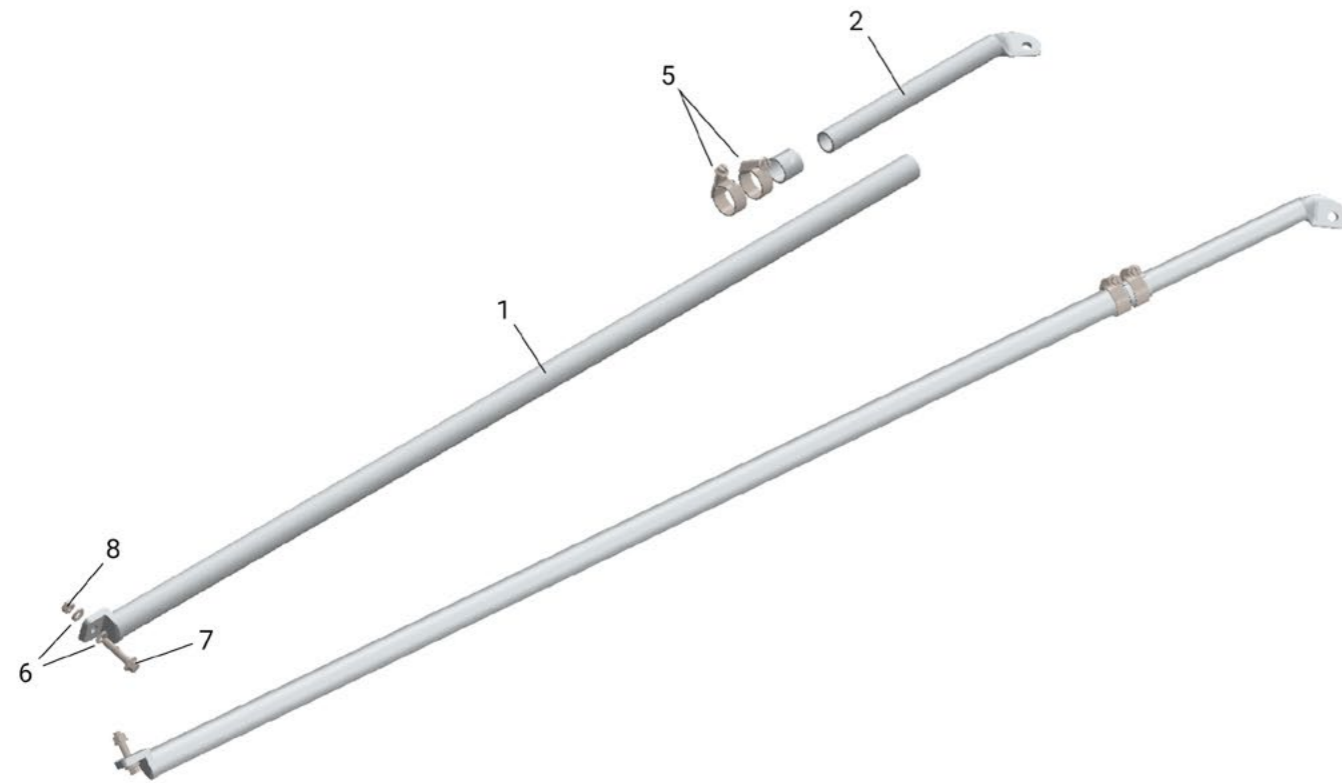
CARBON TUBULAR SWEEP / SCULL RIGGER



N°	Code	Description	Price
	VABCMC000	* Scull carbon tubular rigger complete with hilt, pin and oarlock	1.050,00
	VABPMC000	* Sweep carbon tubular rigger complete with hilt, pin and oarlock	1.190,00
	VABCMC005	* Scull carbon tubular rigger complete with hilt, without pin and oarlock	1.020,00
	VABPMC015	* Sweep carbon tubular rigger complete with hilt, without pin and oarlock	1.160,00
	VABXF203	Stainless steel bushing for rib	4,50
7	VABXMC060	Black Aluminium bracket for sweep/scull carbon tubular rigger	10,50
4	AVD12UNI	Nut M12	2,00
10	VABXXA618A	Stainless steel wide band washer 6 x 18	0,60
9	AVD6A	Stainless steel self-locking 6 mm nut	0,90
8	AVB60100	Hex head bolt 6 x 100	1,80
	VAPEF284	Stainless steel plate for span adjustment on scull/sweep carbon tubular riggers	18,00
3	VABXMC085	Aluminium insert for carbon compression tube	18,50
10	VABXXA006A	Stainless steel washer 6 mm	0,30
5	VABXXA012A	Stainless steel washer 12 mm	0,60
6	VABXMC050	Threaded aluminium cap for carbon tubular rigger	14,00
2	VABCMC010	Scull compression tube complete with insert	325,00
2	VABPMC010	Sweep compression tube complete with insert	365,00
1	VABCMC020	Scull carbon main tube complete with foot	330,00
1	VABPMC020	Sweep carbon main tube complete with foot	375,00
12	AVBA4M6040	M6 x 40 stainless steel flanged button head screw for 1x	2,42
12.1	AVBA4M6050	M6 x 50 stainless steel flanged button head screw for 2x	2,42
12.2	AVBA4M6060	M6 x 60 stainless steel flanged button head screw for 4x	2,42
12.3	AVBAM60100	M6 x 100 stainless steel flanged button head screw for 8+	2,42
13	AVDESAG	Hex nut M6	0,68
	AVV835BC	M8 X 35 screw for scull carbon tubular rigger	1,50
	AVV855BP	M8 X 55 screw for sweep carbon tubular rigger	1,50
	AVV315MC	M3 X 15 screw	1,50
	VAPEX4043	Black crossbar for carbon tubed boats	55,00
	VACOPEAL25	Cover for scull/sweep carbon tubular rigger	115,00
	VABINSM12	Black anodized M12 threaded inner insert for carbon compression tube	15,00
	VABCXT115	Set of wedges for carbon riggers height adjustment	5,50
HILT SECTION			
16	VABXMC010	Aluminium hilt for scull and sweep carbon tubular rigger, without pin and oarlock	110,00
16+22	VABXMC015	Aluminium hilt for scull and sweep carbon tubular rigger, with pin, without oarlock	125,50
16+22+31	VABXMC020	Aluminium hilt for scull and sweep carbon tube rigger, complete with pin and oarlock	143,00
17	VABXXGL8	8mm grower washer	1,80
18	AVB830ES	M8 x 30 center bolt	2,42
19	VABXXA008A	Stainless steel flat washer 8 mm	0,30
20	VABXXGL8E	8mm worked washer for hilt	7,00
21	AVBA48035	Hex head screw M8 x 35	1,30
22	VABXMC045	7075 light alloy anodized pin for hilt	15,50
23	AVD8	Stainless steel nut M8	0,81
24	VABXMC105	Large aluminium washer for scull hilt blocking	5,50
24.1	VABXMC110	Large aluminium washer for sweep hilt blocking	5,50
25	VABXXM010	Black washer for oarlock height adjustment	0,60
30	VABCXC0473	Universal bushing for Concept 2 sweep oarlock art. 473	2,00
30	VABCXC0474	Universal bushing for Concept II scull oarlock art. 474	2,00
31	VABPXC005	Concept 2 sweep nylon oarlock	17,50
31	VABCXC005	Concept 2 scull nylon oarlock	17,50

* Provide the serial number of the boat and the FISA seat position

PLEASE PROVIDE BOAT SERIAL NUMBER WHEN YOU PLACE THE ORDER



BACKSTAY FOR 3 AND 4 STAY ALUMINIUM RIGGER

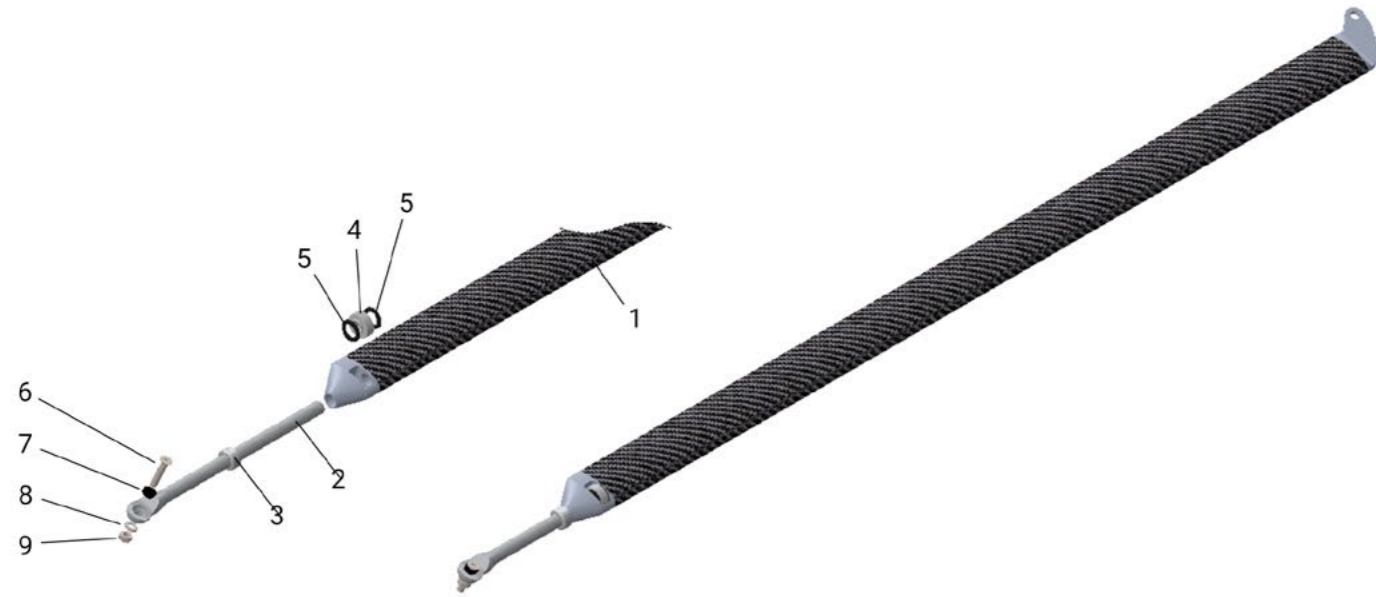
N°	Code	Description	Price
	VABX5T000	Aluminium backstay with welded foot complete with inserts and clamps strokeside	37,50
	VABX5T000SX	Aluminium backstay with welded foot complete with inserts and clamps bowside	37,50
1	VABX5T030	Aluminium backstay with welded foot without insert	13,00
2	VABX5T005DX	Anodized aluminium insert for backstay (strokeside)	20,00
2	VABX5T005SX	Anodized aluminium insert for backstay (bowside)	20,00
5	VABX5T010	Stainless steel clamp	6,00
6	VABXXA006A	Stainless steel washer 6 mm	0,30
7	AVV6030A	M6 x 30 cylindrical socket head screw	0,60
8	AVDESAG	Hex nut M6	0,68

BACKSTAY FOR WING RIGGER

N°	Code	Description	Price
	VABXXC020	Black anodized aluminium backstay complete with insert strokeside	53,50
	VABXXC020SX	Black anodized aluminium backstay complete with insert bowside	53,50
12	VABX5T020	Anodized aluminium backstay without insert	13,00
13	VABX5T005DX0X	Black anodized aluminium insert for backstay (strokeside)	27,80
13	VABX5T005SX0X	Black anodized aluminium insert for backstay (bowside)	27,80
	VABX5T00CDX	Backstay complete with insert and clamps strokeside	37,50
	VABX5T00CSX	Backstay complete with insert and clamps bowside	37,50
12	VABX5T030	Aluminium backstay with welded foot without insert	13,00
13	VABX5T005DX	Anodized aluminium insert for backstay (strokeside)	20,00
13	VABX5T005SX	Anodized aluminium insert for backstay (bowside)	20,00
14	VABX5T010	Stainless steel clamp	6,00
15.1	AVV6030A	M6 x 30 cylindrical socket head screw (only for 1x)	0,60
15	AVBA4M6030	M6 x 30 stainless steel flanged button head screw	2,42
16	ASPALLTC5	Pom semi-sphere for backstay	3,00
17	VABXXA006A	Stainless steel washer 6 mm	0,30
18	AVDESAG	Hex nut M6	0,68

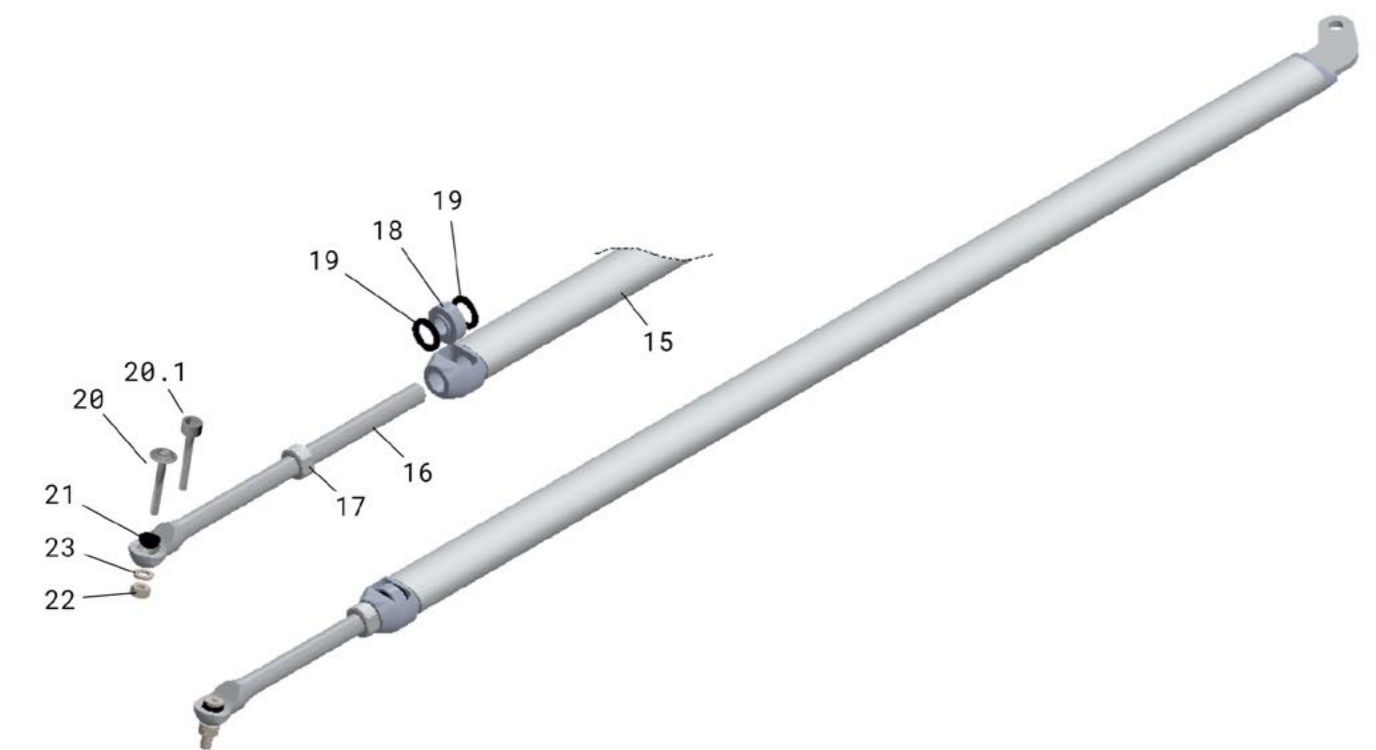
Provide the serial number of the boat and the FISA seat position

PLEASE PROVIDE BOAT SERIAL NUMBER WHEN YOU PLACE THE ORDER



CARBON BACKSTAY

N°	Code	Description	Price
1+2+3+4+5	VABX5T0001	*Complete wing section carbon backstay for "C01" model strokeside	285,00
1+2+3+4+5	VABX5T0001SX	*Complete wing section carbon backstay for "C01" model bowside	285,00
2	VABPX5T	Threaded insert for carbon backstay strokeside	21,00
2	VABPX5TSX	Threaded insert for carbon backstay bowside	21,00
3	AVD12X5T	Aluminium M12 nut for carbon backstay	4,30
4	AVDREG	Adjustment M12 nut for carbon backstay	4,30
5	VABXXM010	Black washer for height adjustment	0,60
6	AVBA4M6030	M6 x 30 stainless steel flanged button head screw	2,42
7	ASPALLTC5	Pom semi-sphere for backstay	3,00
8	VABXXA006A	Stainless steel washer 6 mm	0,30
9	AVDESAG	Hex nut M6	0,68



ADJUSTABLE BACKSTAY

N°	Code	Description	Price
15+16+17+18+19	VABX5T040SX	Adjustable backstay complete with insert and clamps bowside	97,50
15+16+17+18+19	VABX5T040DX	Adjustable backstay complete with insert and clamps strokeside	97,50
16	VABPX5T	Anodized aluminium insert for backstay (strokeside)	21,00
16	VABPX5TSX	Anodized aluminium insert for backstay (bowside)	21,00
17	AVD12X5T	Aluminium M12 nut for backstay	4,30
18	AVDREG	Adjustment M12 nut for backstay	4,30
19	VABXXM010	Black washer for height adjustment	0,60
20	AVBA4M6030	M6 x 30 stainless steel flanged button head screw	2,42
20.1	AVV6030A	Allen head bolt cylinder M6X30 (only for 1x)	0,60
21	ASPALLTC5	Pom semi-sphere for backstay	3,00
22	AVDESAG	Hex nut M6	0,68
23	VABXXA006A	Stainless steel washer 6 mm	0,30

* Provide the serial number of the boat and the FISA seat position

PLEASE PROVIDE BOAT SERIAL NUMBER WHEN YOU PLACE THE ORDER

FOLDING STAND

Code	Description	price
VAVAXA001	Filippi aluminium folding stand	135,00

Measures (closed)

thickness: 11cm
height: 105cm
width: 50cm

Measures (open)

height: 86cm (from bottom of canvas to ground: 65cm)
width: 77cm
depth: 50cm



OARS

Code	Description	Price
	CONCEPT 2 SWEEP OARS	
VIREPCUCIIDX	Sweep oar, Smoothie2 Plain Edge blade, Ultralight shaft, adjustable handle, cm 373-378, port	495,00
VIREPCUCIISX	Sweep oar, Smoothie2 Plain Edge blade, Ultralight shaft, adjustable handle, cm 373-378, starboard	495,00
VIREP2CIILVDX	Sweep oar, Smoothie2 Plain Edge blade, Ultralight shaft, adjustable handle, cm 373-378, wood veneer grip, port	480,00
VIREP2CIILVSX	Sweep oar, Smoothie2 Plain Edge blade, Ultralight shaft, adjustable handle, cm 373-378, wood veneer grip, starboard	480,00
VIREPCUCIIVSX	Sweep oar, Smoothie2 Vortex Edge blade, Ultralight shaft, adjustable handle, cm 373-378, starboard	495,00
VIREP2CIIIDX	Sweep oar, Smoothie2 Vortex Edge blade, Ultralight shaft, adjustable handle, cm 373-378, port	495,00
VIREP2CIIIDX	Sweep oar, Smoothie2 Plain Edge blade, Ultralight shaft, fixed wooden handle, cm 376, port	495,00
VIREP2CIIISX	Sweep oar, Smoothie2 Plain Edge blade, Ultralight shaft, fixed wooden handle, cm 376, starboard	495,00
VIREP2CIIISX	Sweep oar, Smoothie2 Plain Edge blade, Skinny shaft, adjustable handle, cm 373-378, medium stiffness, port	650,00
VIREP2CIISSX	Sweep oar, Smoothie2 Plain Edge blade, Skinny shaft, adjustable handle, cm 373-378, medium stiffness, starboard	650,00
VIREP2CIIIS0DX	Sweep oar, Smoothie2 Plain Edge blade, Skinny shaft, adjustable handle, cm 373-378, soft stiffness, port	650,00
VIREP2CIIIS0SX	Sweep oar, Smoothie2 Plain Edge blade, Skinny shaft, adjustable handle, cm 373-378, soft stiffness, starboard	650,00
VIREP2CIIFV7DX	Sweep oar, Fat2 Blade, Skinny shaft, adjustable handle, port	650,00
VIREP2CIIFV7SX	Sweep oar, Fat2 Blade, Skinny shaft, adjustable handle, starboard	650,00
VIREP2CIIFVDX	Sweep oar, Fat2 Blade, Ultralight shaft, adjustable handle, port	480,00
VIREP2CIIFVSX	Sweep oar, Fat2 Blade, Ultralight shaft, adjustable handle, starboard	480,00
VIREPCUCIIBDX	Sweep oar, Big Blade, Ultralight shaft, adjustable handle, cm 373-378, port	495,00
VIREPCUCIIBSX	Sweep oar, Big Blade, Ultralight shaft, adjustable handle, cm 373-378, starboard	495,00
VIREPCUCIIBLDX	Sweep oar, Big Blade, Ultralight shaft, fixed wooden handle, cm 376, port	495,00
VIREPCUCIIBLSX	Sweep oar, Big Blade, Ultralight shaft, fixed wooden handle, cm 376, starboard	495,00
VIREPC2COMPSX	Sweep oar, Comp Blade, Skinny shaft, adjustable handle, starboard	650,00
VIREPC2COMPDX	Sweep oar, Comp Blade, Skinny shaft, adjustable handle, port	650,00
	CONCEPT 2 SCULLING OARS	
VIRECC2CMDX	Sculling oar, Smoothie2 Plain Edge blade, Ultralight shaft, adjustable handle, cm 284-289, port	380,00
VIRECC2CIISXM	Sculling oar, Smoothie2 Plain Edge blade, Ultralight shaft, adjustable handle, cm 284-289, starboard	380,00
VIRECC2CIIDX	Sculling oar, Smoothie2 Plain Edge blade, Ultralight shaft, adjustable handle, cm 287-292, port	380,00
VIRECC2CIISX	Sculling oar, Smoothie2 Plain Edge blade, Ultralight shaft, adjustable handle, cm 287-292, starboard	380,00
VIRECC2VXDX	Sculling oar, Smoothie2 Vortex Edge blade, Ultralight shaft, adjustable handle, cm 287-292, port	380,00
VIRECC2VXSX	Sculling oar, Smoothie2 Vortex Edge blade, Ultralight shaft, adjustable handle, cm 287-292, starboard	380,00
VIRECCOSKDXS	Sculling oar, Smoothie2 Plain Edge blade, Skinny shaft, adjustable handle, cm 284-289, soft stiffness, port	495,00
VIRECC2MSX	Sculling oar, Smoothie2 Plain Edge blade, Skinny shaft, adjustable handle, cm 284-289, soft stiffness, starboard	495,00
VIRECCOSKDXM1	Sculling oar, Smoothie2 Plain Edge blade, Skinny shaft, adjustable handle, cm 284-289, medium stiffness, port	495,00
VIRECC2MSXM	Sculling oar, Smoothie2 Plain Edge blade, Skinny shaft, adjustable handle, cm 284-289, medium stiffness, starboard	495,00
VIRECCOSKDXS1	Sculling oar, Smoothie2 Plain Edge blade, Skinny shaft, adjustable handle, cm 287-292, soft stiffness, port	495,00
VIRECCOSKSXS1	Sculling oar, Smoothie2 Plain Edge blade, Skinny shaft, adjustable handle, cm 287-292, soft stiffness, starboard	495,00
VIRECCOSKDXM	Sculling oar, Smoothie2 Plain Edge blade, Skinny shaft, adjustable handle, cm 287-292, medium stiffness, port	495,00
VIRECCOSKSXM	Sculling oar, Smoothie2 Plain Edge blade, Skinny shaft, adjustable handle, cm 287-292, medium stiffness, starboard	495,00

Code	Description	Price
VIREBBCIIDX	Sculling oar, Big Blade, Ultralight shaft, adjustable handle, cm 287-292, port	380,00
VIREBBCIISX	Sculling oar, Big Blade, Ultralight shaft, adjustable handle, cm 287-292, starboard	380,00
VIRECMCIIDX	Sculling oar, Fat2 blade, Ultralight shaft, adjustable handle, port	380,00
VIRECMCIISX	Sculling oar, Fat2 blade, Ultralight shaft, adjustable handle, starboard	380,00
VIRECC2COMPDX	Sculling oar, Comp Blade, Skinny shaft, adjustable handle, port	495,00
VIRECC2COMPSX	Sculling oar, Comp Blade, Skinny shaft, adjustable handle, starboard	495,00
VIRECOST295DX	Sculling training oar, Macon blade, cm 295, port	325,00
VIRECOST295SX	Sculling training oar, Macon blade, cm 295, starboard	325,00
	ACCESSORIES FOR CONCEPT 2 OARS	
VAVAIMP01	Oar L-shaped angle finder	78,00
VAVAREVORS	Scull vortex edge art. 804BX	7,00
VAVAREVOR	Sweep vortex edge art. 803BX	7,00
VAVARECP	Sleeve clam for scull/sweep	3,50
VAVAREA02	Scull collar	9,00
VAVAREA03	Sweep collar	9,00
VAVAREAC06	Scull wooden handle	45,00
VAVAREAP05	Sweep wooden handle diameter 4,5 cm, art. 182	65,00
VAVAREAP1	Adjustable carbon handle without grip for sculling oar	81,50
VAVAREAP1	Adjustable carbon handle without grip for sweep oar	110,00
VAVAREA021	Sleeve for sweep oar, black/green	24,50
VAVAREA022	Sleeve for scull oar, black/green	24,50
VAVAREA01	Fixed Black grip for sculling oar, art. 191	9,00
VAVAREA05A	Adjustable blue grip for sculling oar (diameter 35 mm), art. 547	15,00
VAVAREA05B	Adjustable green grip for sculling oar (diameter 34,5 mm), art. 566	15,00
VAVAREA16	Sweep inner grip	11,00
VAVAREAZ1	Adjustable ice blue rubber grip for sculling oar (diameter 33,5 mm)	12,50
VAVAREA07	Scull Smoothie 2 Plain Edge blade	215,00
VAVAREA08	Sweep Smoothie 2 Plain Edge blade	215,00
VABCXC00396	Oarlock star nut	2,90
VAVAREA020B	Wear plate for white scull sleeve art. 181	6,50
VAVAREA020C	Wear plate for white sweep sleeve	6,50
VAVAREA01AZ	Fixed azure blue grip for sculling oar, art. 563	9,00
VAVAREA05	Adjustable black grip for sculling oar (diameter 35 mm), art.590	15,50
VAVAREA05P	Adjustable green grip for sweep oar (diameter 37,5 mm), art. 619	15,50
VAVAREA565	Adjustable green grip for sculling oar (diameter 32 mm), art. 565	15,50
VAVAREA534	Adjustable contoured orange rubber grip for sculling oar (diameter 33,5 mm), art. 534	15,50
VAVAREA534P	Adjustable contoured orange rubber grip for sweep oar (diameter 33,5 mm), art. 534	15,50
VABPXC005	Sweep oarlock	17,50
VABCXC005	Scull oarlock	17,50
VABCXC0473	Universal bushing for Concept 2 sweep oarlock art. 473	2,00
VABCXC0474	Universal bushing for Concept 2 scull oarlock art. 474	2,00
VAVAREA02P	Sleeve for sweep oar, white	19,00
VAVAREA832	Adjustable sweep grip with suede patch	27,50
VAVAREA837	Adjustable sweep grip with suede patch (diameter 37 mm), art.848	27,50
VAVAREA837SK	Adjustable sweep grip with suede patch (diameter 39 mm), art.847	27,50
VAVAREA821	Suede patch for sweep outer grip, art.821	4,00
VAVAREA822	Suede patch for sweep inner grip, art.822	4,00

PLEASE PROVIDE BOAT SERIAL NUMBER WHEN YOU PLACE THE ORDER

Code	Description	Price
VAVAREA817	Inner wood grip, art.817	30,00
VAVAREA818	Outer wood grip, art.818	44,00
VAVAREA864	Grip adjustable scull only suede thin 32 mm diameter art.864	27,50
VAVAREA823	Suede patch for scull inner grip	4,00
VAVAREACBB	Scull BB 2 Plain Edge blade	215,00
VAVAREAPBB	Sweep BB 2 Plain Edge blade	215,00
VAVAREA0ARBOX	Box for oars transport (green)	237,00
VAVAREACMC	Clam for scull collar	3,00

WATER BOTTLES

Code	Description	Price
VAVASC0222	Bottle with light blue cap 600 ml	12,00
VAVASC0CC	Carbon bottle holder for 1x	16,50
VAVASC0KP	Screws kit for water bottle fixing	2,22

NANOTECHNOLOGICAL CLEANING KIT

Code	Description	Price
VAEVOSS	Shoes sanitizer – protective and sanitizing spray for Filippi MAS Shoes	44,00
VAEVONC	Natural cleaner – special cleaning spray for carbon parts	19,00
VAEVOAC	Anti-corrosion – Antioxidant cleaning spray for metal parts	19,00
VAEVOHP	Hull protector – Antibacterial cleaning spray for hull protection	64,00
VAEVOPA	Antistatic microfiber cloth	14,00

BOAT COVERS

Code	Description	Price
	COVERS FOR SKIFF	460,00
VACOPE1ECS01	* Boat cover for 1x F01	460,00
VACOPE1ECS07	* Boat cover for 1x F07	460,00
VACOPE1ECS14	* Boat cover for 1x F14	460,00
VACOPE1ECS15	* Boat cover for 1x F15	460,00
VACOPE1ECS22	* Boat cover for 1x F22	460,00
VACOPE1ECS44	* Boat cover for 1x F44	460,00
VACOPE1ECS45	* Boat cover for 1x F45	460,00
VACOPE1ECS50	* Boat cover for 1x F50	460,00
VACOPE1ECS39	*Boat cover for 1x F39	460,00
VACOPE1ECS47	*Boat cover for 1x F47	460,00
VACOPE1ECS69	*Boat cover for 1x F69	460,00
VACOPE1ECS70	*Boat cover for 1x F70	460,00
VACOPE1ECS72	* Boat cover for 1x F72	460,00
VACOPE1H	* Cover for 1x Adaptive	460,00
	COVERS FOR DOUBLE AND PAIR	
VACOPE251	* Boat cover for 2x / 2- F51	645,00
VACOPE2ECS13	* Boat cover for 2x /2- F13	645,00
VACOPE2ECS13W	* Boat cover for 2x /2- F13	645,00
VACOPE2ECS17	* Boat cover for 2x / 2- F17	645,00
VACOPE2ECS17W	* Boat cover for 2x / 2- F17	645,00
VACOPE2ECS30	* Boat cover for 2x /2- F30	645,00
VACOPE2ECS30W	* Boat cover for 2x /2- F30	645,00
VACOPE2ECS36	* Boat cover for 2x / 2- F36	645,00
VACOPE2ECS46	* Boat cover for 2x / 2- F46	645,00
VACOPE2ECS60	*Boat cover for 2x/2- F60	645,00
VACOPE2ECS60W	*Boat cover for 2x/2- F60	645,00

Filippi Spare Parts List - v.35 r.6

Code	Description	Price
VACOPE2ECS24	*Boat cover for 2x/2- F24	645,00
VACOPE268	*Boat cover for 2x/2- F68	645,00
VACOPE2H	* Cover for 2x Adaptive	645,00
	COVERS FOR QUAD AND FOUR	
VACOPE4ECS19	* Boat cover for 4+ F19	875,00
VACOPE4ECS31	* Boat cover for 4x / 4- / 4+ F31	875,00
VACOPE4ECS38	* Boat cover for 4x / 4- F38	875,00
VACOPE4ECS40	* Boat cover for 4x / 4- F40	875,00
VACOPE4ECS43	* Boat cover for 4x / 4- F43	875,00
VACOPE4ECS52	* Boat cover for 4x / 4- F52	875,00
VACOPE4ECS61	* Boat cover 4x / 4- F61	875,00
VACOPE4ECS11	*Boat cover for 4x /4- F11	875,00
VACOPE4ECS53	*Boat cover for 4x/4- F53	875,00
VACOPE4ECS34	*Boat cover for 4x+ /4+ / 4x F34	875,00
	COVERS FOR (COXED) EIGHT	
VACOPE8ECS	* Boat cover for 8 + F41	1.105,00
VACOPE8ECS42	* Boat cover for 8 + F42	1.105,00
VACOPE8F49	* Boat cover for 8 + F49	1.105,00
VACOPE8F54	*Boat cover for 8+ F54	1.105,00
VACOPE8F29	*Boat cover for 8+ F29	1.105,00

OTHER ACCESSORIES

Code	Description	Price
VAVAIMP02	Inclinometer for Aliante riggers (pitch meter)	115,00
AUCRISTO	Boat loading support	230,00
VAVASC010	4mm elastic cord for seat blocking	3,50
ACNADFILIPPI	Filippi adhesive tape roll for packing	8,00
VAVAXA002	Rigger height measuring stick	180,00
AMVDH0192	** Catalyzed spray paint blue or white - ml 400	24,50
AVB8050BRFL	8 X 50 flanged button head screw for 8+ section built until 2019	2,42
AVB8070BRFL	8 X 70 flanged button head screw for current 8+ section	3,20
VABXA832A	Stainless steel 8 x 32 wide band washer for 8+ section	1,00
AVD8	Stainless steel nut M8 for 8+ section	0,81
AAARET8+	Black backrest with Filippi logo for coxswain on 8+ and 4+ (at stern)	13,00
AAARET4+	Black headrest with Filippi logo for coxswain on 4+ (at bow)	8,50
VABXMC0X	Fairlead cap	5,50
VAVASC001	Bow protection ball	4,50
VAVASC006	Plastic number holder	3,05
VAVASCPNC	Carbon forged number holder	24,00
VABXMC046	Hilt stainless steel pin	15,50
ASPAR0132	Higher wavebreaker for 1x	140,00
AVRIVE26M4030	Rivet for wavebreaker	1,30
AVV4010A4	4 X 10 hex round head screw for wavebreaker	0,60
AVV4015A4	4 X 15 hex round head screw for wavebreaker	0,60
VABXA004A12	Stainless steel wide band washer 4 X 12	0,30
VABXA46798	Stainless steel knurled washer 4 mm	0,60
VAVASC005	Plastic hatch cover diameter 100 mm	8,50
VAVASC50	Plastic hatch cover diameter 50 mm	7,50
VAVASC005B	Hatch holder rod (for diameter 100 mm model)	1,50
VAVASC50T	Plastic hatch holder (for diameter 50 mm model)	0,80

PLEASE PROVIDE BOAT SERIAL NUMBER WHEN YOU PLACE THE ORDER









Code	Description	Price
AAVASC010	Black nylon snap hook 6 mm for seats	0,80
VAPE01004	Straps for training single footstretcher	4,00
AAARETNER1	Black rectangular anti-slip mat 155 X 60 mm	4,50
AAARETNER1	Arrow shaped anti-slip mat in straw 228 X 75 mm	7,00
VAVASC018	Filippi fixing belt 3 m.	7,00
ACVMF	Filippi T-Shirt	12,00
ACVCAPSILF	Filippi hat	10,00
AAAFIL2B	"Filippi" blue embossed sticker 70x28 mm	5,00
AAAFIL2W	"Filippi" white embossed sticker 70x28 mm	5,00
AAAFIL2N	"Filippi" black embossed sticker 70x28 mm	5,00
AAAFIL95B	"Filippi" blue embossed sticker 96,4x51,2 mm	9,00
AAAFIL95W	"Filippi" white embossed sticker 96,4x51,2 mm	9,00
AAAFIL95N	"Filippi" black embossed sticker 96,4x51,2 mm	9,00
AMVD6000	White paint D6000 1L.	105,00
AMVD8302	Harner D8302 1L.	33,00
AMV8714	Thinner D8714 1L.	22,00
ASPARO	Wavebreaker for boats built untill 2017	140,00
PASP248W	Wavebreaker fo 2x, 4x, 8+	140,00
AVCB0620060	Plastic bolt cap (white)	0,20
AAVASC01	Signed "Filippi" plastic holder for steering cable	2,40
ASPARASPCF	Carbon shoulder protector	21,00
VABXXM4B	4mm white nylon open washer	0.95
VABXXM6B	6mm blue nylon open washer	0.95
VAVASC008	Plastic hatch cover diameter 160 mm	9,00
COASTAL ROWING BOATS		
VABXMT12	Stainless steel bow bitt for coastal rowing boat	7,80
VABXMT11	PVC bow bitt for coastal rowing boat	1,50
VAVASC008	Plastic hatch cover diameter 160 mm	9,00
VABXMT0538	Scupper hatch for coastal rowing boat	12,50
VABXMN1XC	Stainless steel plate for Coastal shoes	37,00
VAVTAGP2000	8mm Ballast plate 2000 in A4 for Coastals	46,00
VAPEXACT48	Pair of Active tools shoes size 43-48	75,00
VAVASC06406B	Blue rope (6 mm) for coastal rowing boat	4,00
VAVASC064412	Float orange rope (12 mm) for coastal rowing boat	13,00
VAVASC0644AR	Float orange rope (8 mm) for coastal rowing boat	7,00
VAVASALCR2	Filippi life jacket	75,00
VAVASALVCR	Traditional life jacket	30,00
AASPOTCRW	Elastic black cloth with eyelets for coastal rowing boat	155,00
AASPOTCRWF85	Black tarpaulin with grommets/eyelets for Coastal F85	185,00
VABXMT05913	Black PVC bow cap 160 mm	7,50
VACAXAC0A	Pair of anodized aluminium slide beds for 1x coastal	10,50
VAPEX1XC	Pair of wedges for 1x coastal rowing crossbar	72,50
VABXMT26308	Large cleat 4x+ Coastal rowing boat	4,50
VABXMT35500	Oar clip holder 35 mm 4x+ Coastal rowing boat	2,00
VABXMT35502	Oar clip holder 40 mm 4x+ Coastal rowing boat	2,50
VABXMT26300	Cleat 4x+ Coastal Rowing boat	4,50
VACOPE180	Boat cover for 1x F80 coastal	490,00
VACOPE183	Boat cover for 1x F83 coastal	490,00
VACOPE181	Boat cover for 2x F81 coastal	645,00
VACOPE1COASTCS84	Boat cover for 1x F84 coastal	490,00
VACOPE2COASTCS85	Boat cover for 2x F85 coastal	645,00
VACOPE4COASTCS82	Boat cover for 4x+ F82 coastal	875,00
ASPAROCR	Wavebreaker for coastal rowing boat	152,00
VATROLLEYCOSTUNI	universal trolley	570,00

NIELSEN-KELLERMAN MERCHANDISE







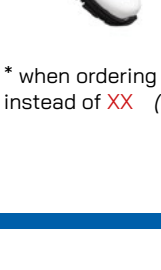




Code	Description	Price
VACXNKGPSU	CoxBox GPS unit art. Coxbox	940,00
VACXNK110G	Cox-Box GPS complete	1.140,00
VACXNK300G	Cox-box GPS complete, 3 speakers-sec, for 8+	1.744,00
VACXNK200G	Cox-Box GPS complete, 2 speakers for 4+	1.616,00
VACXNK300	Cox-box CORE complete, 3 speakers-sec, for 8+	1.482,00
VACXNK110	Cox-box CORE complete	870,00
VACXNK200	Cox-Box CORE complete, 2 speakers for 4+	1.354,00
VACXNKCBSU	CoxBox CORE unit art. Coxbox	670,00
VACXNK207	NK Loudspeaker mod. 2 for Cox-Box art. 0207B	51,00
VACXNK310	Harness for Cox-Box NK module M speaker extension art. 0292	77,00
VACXNK210	Harness for Cox-Box NK module A+ audio rate art. 0291	77,00
VACXNK311	Harness for Cox box NK module R rate sensor art. 0293	55,00
VACXNK030	Microphone with Rubber Connector and Headband for Cox-Box NK, art. 0200	110,00
VAIN2NK000	NK Interval 2000 Split/Rate Watch, art 0130	181,50
VAIN2NK050	Protective Bumper for NK Interval 2000, art. 0169	8,00
VAIN2NK111B	Cox-Box GPS or Core Top Bumper, art. 0111	8,00
VAIN2NK112B	Cox-Box GPS or Core Bottom Bumper, art. 0112	8,00
VASCNK030	Seat magnet, art. 0229	8,00
VASCNK011	T-bracket for NK stroke and speed coach, art. 0280	21,00
VASPNKR020	NK Impeller for speed-coach gold/red, art. 0151	42,50
VASPNKR010	SpeedCoach wiring 1x art.3155	79,00
VASCNK010	SpeedCoach wiring stroke of 2x or 2- art.3165	79,00
VASPNKGPS183E	SpeedCoach GPS - Model 2	480,00
VASPNKGPS183ET	SpeedCoach GPS - Model 2 with Training Pack	550,00
VAIN2NK189	SpeedCoach GPS Protective Bumper. art. 0189	8,00
VASPNK050	SpeedCoach/StrokeCoach Protective Bumper, art. 0159	8,00
VASCNK065	Replacement Battery door Stroke-Coach with Surge Rate and SpeedCoach Gold/Red	4,50
VACXNK050	Battery charger for Cox Box unit, art. 0204	55,00
VACXNK060	Cox-Box battery pack, art. 0105	120,00
VACXNK0BAG	NK gear bag for Cox-Box, art. 0117	60,00
VASCNK0282	Angle bracket for deck/wing, art. 0282	20,00
VASCNK3179	Plain Mounting Dock (for all StrokeCoach or SpeedCoach models), art. 3179	10,00
VASPNKR236	Kit for Cable Mount System, art. 0236	20,00
VACXNK040	Cup Bracket for Cox-Box / Cox-Box Mini System, art. 0298	12,00
VACXNK102	Unit for Cox-Box Mini NK, art. 0102	325,00
VACXNK185	SpeedCoach GPS Charger, art 0185EU	30,00
VASPNKR129	NK heart rate belt for GPS SpeedCoach art.0127	60,00
VASPNKSE0187	EmPower oarlock (sweep/scull) art.018	730,00
VASCNK125	StrokeCoach with Surge Rate	267,00
VACXNK207X	Flap for loudspeaker mod 2 art. 0207X	22,00
VASPNKR286	Mounting strap per speed coach art. 0286	28,00

PLEASE PROVIDE BOAT SERIAL NUMBER WHEN YOU PLACE THE ORDER

FILIPPI COLLECTION

Code	Description	Price
 VAOF43	Filippi sunglasses model F43	60,00
 VAOF45	Filippi sunglasses model F45	60,00
 VAOF50	Filippi sunglasses model F50	60,00
VAOF051	Filippi sunglasses model F51-01 black	55,00
VAOF05102	Filippi sunglasses model F51-02 transparent	55,00
VAOF05103	Filippi sunglasses model F51-03 blue	55,00
VAOF05104	Filippi sunglasses model F51-04 green	55,00
VAOF05105	Filippi sunglasses model F51-05 pink	55,00
VAOF05106	Filippi sunglasses model F51-06 orange	55,00
 VAOF052B	Filippi sunglasses model F52 black	60,00
VAOF052W	Filippi sunglasse model F52 white	60,00
 VAOF052BT	Filippi sunglasses model F52 tecno	60,00
VAOF053W	Filippi sunglasses model F53 white	60,00
VAOF053B	Filippi sunglasses model F53 black	60,00
 VAOF053BT	Filippi sunglasses model F53 tecno	60,00
VAOFALB	Filippi sunglasses model new Aliante black	60,00
VAOFALW	Filippi sunglasses model new Aliante white	60,00
 VAOF054	Filippi sunglasses model F54	60,00
VAOFGOLD	Filippi 2020 sunglasses gold lenses	60,00
VAOF020PI	Filippi 2020 sunglasses pink lenses	70,00
VAOF020RE	Filippi 2020 sunglasses red lenses	70,00
VAOF020SIL	Filippi 2020 sunglasses silver lenses	60,00
 VAOFCLEAR	Filippi 2020 sunglasses photochromic lenses	80,00
VAOF0F70PIT	Filippi sunglasses model F70 tecno pink lenses	70,00
VAOF0F70RET	Filippi sunglasses model F70 tecno red lenses	70,00
VAOF0F70SILT	Filippi sunglasses model F70 tecno silver lenses	70,00

Filippi Spare Parts List - v.35 r.6

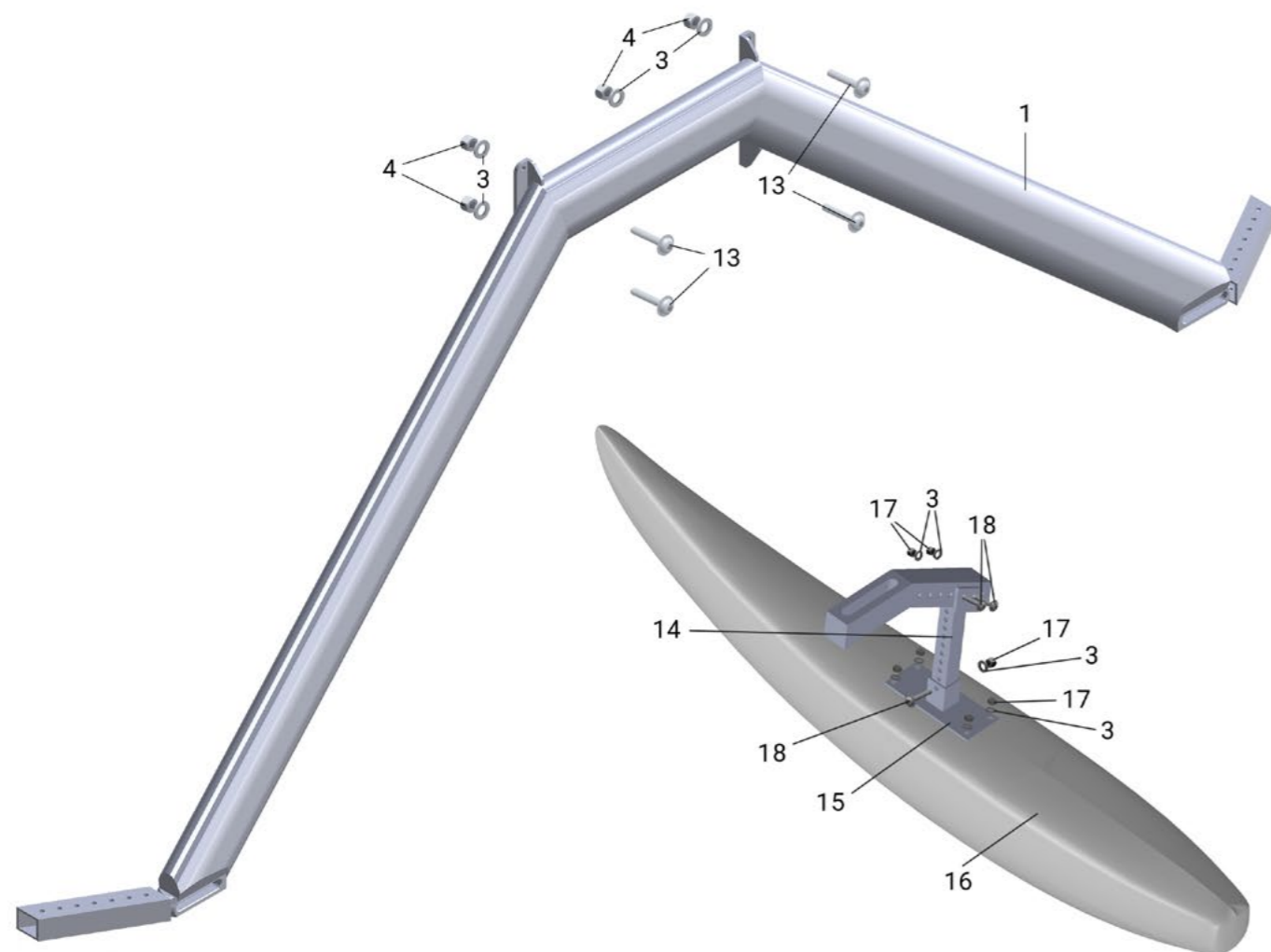
Code	Description	Price
	BODYF57BXX* Filippi body F57	50,00
	BODYF57DBXX* Filippi body F57 dark blue	50,00
	BODYF58XX* Filippi body F58	50,00
	TSHIRTF51XX* Filippi t-shirt F51	35,00
	BODYULBXX* Filippi body ultra light blue	50,00
	BODYULPXX* Filippi body ultra light pink	50,00
	TSHIRTF52XX* Filippi t-shirt F52	35,00
	BODYF57DBXX* Filippi body New Zealand	70,00
	SHIRTF84XX* Filippi thermal shirt F84	60,00
	BODYUSA* Filippi body US Rowing	70,00
	VAPEFXXM20P** Filippi MAS 20 sport shoes	140,00

* when ordering insert your size (XS, S, M, L, XL, XXL) in the code instead of **XX** (some items may only have certain sizes available)

** when ordering insert your shoe size (EU) in the code instead of **XX**

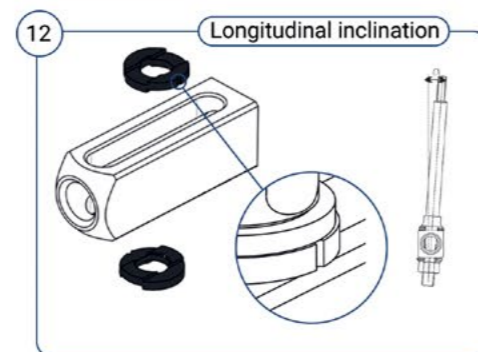
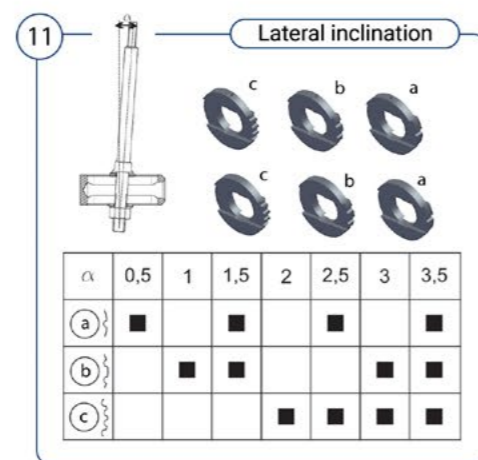
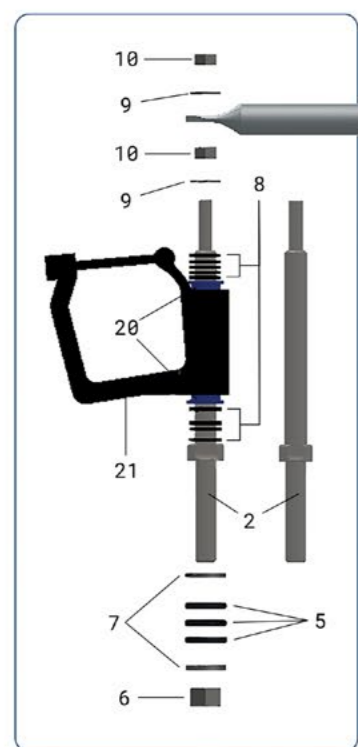
! PLEASE PROVIDE BOAT SERIAL NUMBER WHEN YOU PLACE THE ORDER

SCULL ALUMINIUM WING RIGGER

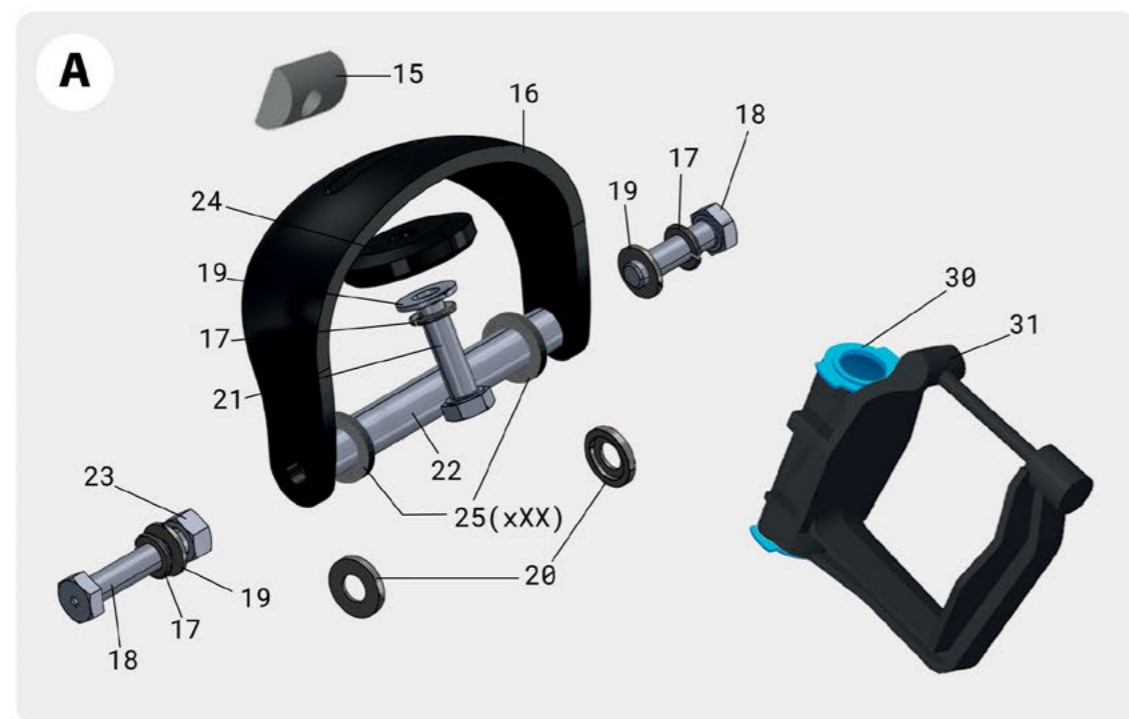
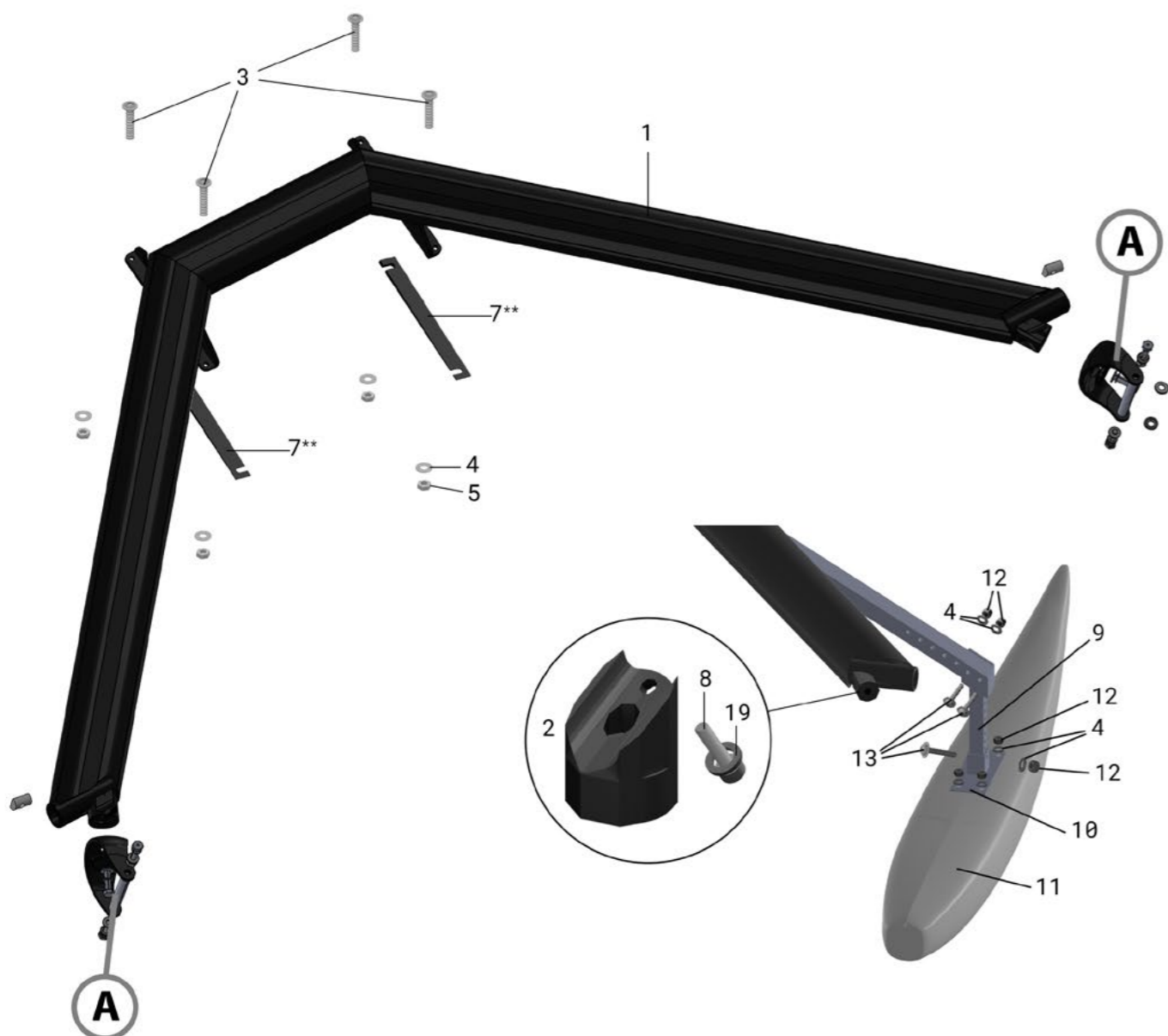


N°	Code	Description	Price
	VABCGIG4KPA	Scull aluminium wing rigger for 1x Adaptive complete with pins, oarlocks and floats joints	1.000,00
	VABCWC0ADAW	* Scull aluminium wing rigger for 2x Adaptive complete with pins and oarlocks	880,00
1	VABCWCADSS	* Scull aluminium wing rigger for Adaptive boats, frame only	720,00
14	AMPGUIGA	Float rigger joint for scull aluminium wing rigger on 1x Adaptive	60,00
15	AMPGUIPA	Plate for float joint	60,00
16	AMPGUIFLA	Float for 1x Adaptive wing rigger	169,00
18	AVBA4M6050	M6 x 50 stainless steel flanged button head screw for 1x	2,42
2	VABXMC047	Titanium pin for scull oarlock	64,00
2	VABCXC010	Stainless steel pin for scull oarlock	25,50
13	AVBA4M6030	M6 x 30 stainless steel flanged button head screw for 1x Adaptive	2,42
3	VABXXA006A	Stainless steel washer 6 mm	0,30
4	AVDESAG	Hex nut M6	0,68
5	VABXXT005	5 mm aluminium washer for pin height	1,65
7	VABXXA012A	M12 stainless steel washer	0,60
6	AVD12UNIA	Stainless steel nut M12 self-locking	2,00
8	VABXXM010	Black washer for oarlock height adjustment	0,60
9	VABXXA008A	Stainless steel washer 8 mm	0,30
10	AVD8	Stainless steel nut M8	0,81
11	VABXMC070	Set of inclined washers for pin lateral adjustment (6 pcs)	16,00
12	VABXMC070L	Set of washers for pin longitudinal adjustment (4 pcs)	10,00
20	VABCXC0474	Universal bushing for Concept II scull oarlock art. 474	2,00
21	VABCXC005	Concept 2 scull nylon oarlock	17,50
17	AVD6A	Stainless steel self-locking 6 mm nut	0,90

* Provide the serial number of the boat and the FISA seat position



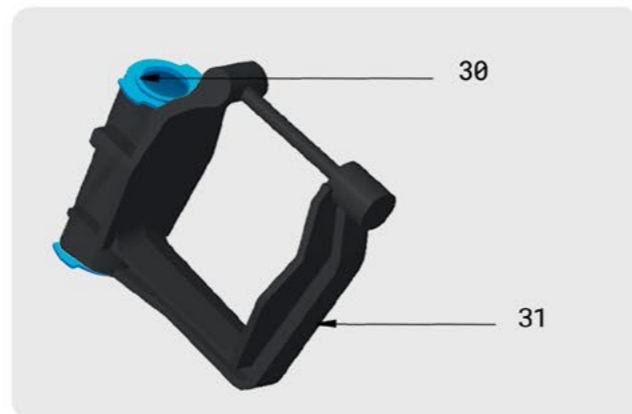
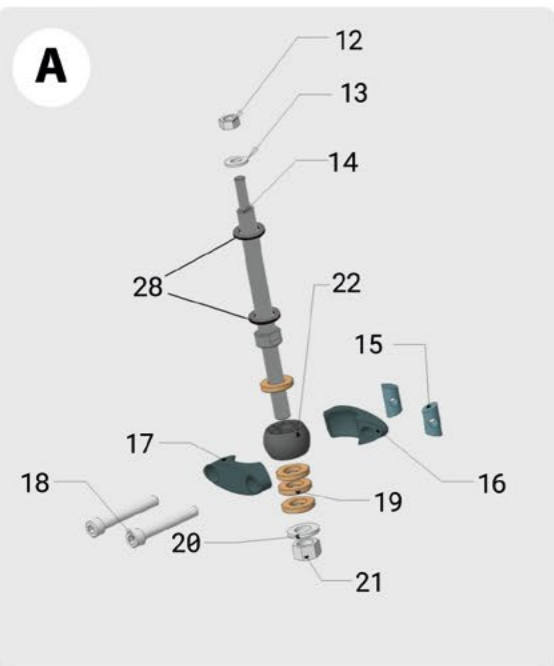
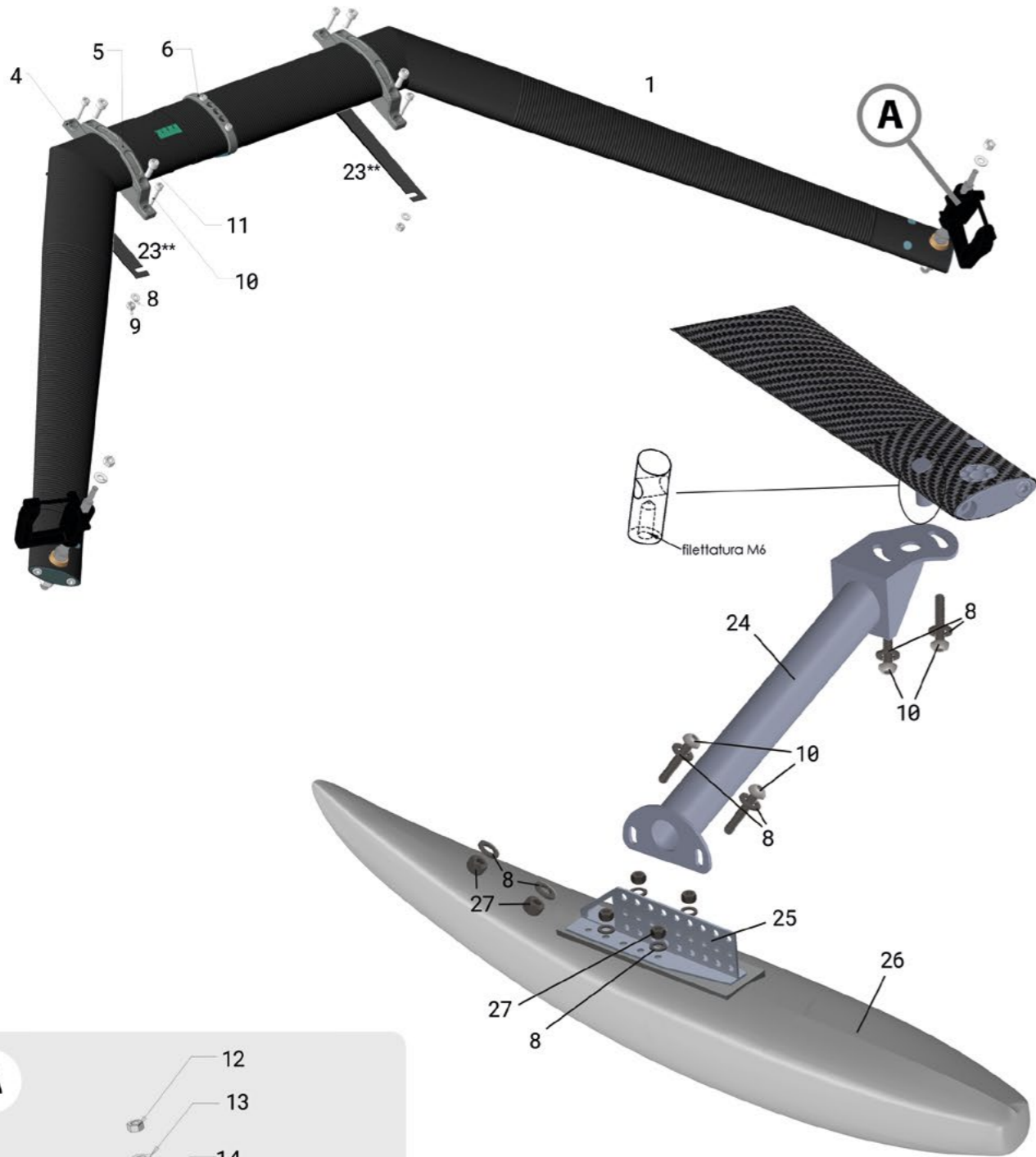
! PLEASE PROVIDE BOAT SERIAL NUMBER WHEN YOU PLACE THE ORDER



N°	Code	Description	Price
	VABCALA500ADAT	Scull alum. wing rigger Aliante 1x Adaptive complete with hilts stainless steel pins, oarlocks and floats joints	1.140,00
	VABCALA500AD	* Scull alum. wing rigger Aliante 2x Adaptive complete with hilts, stainless steel pins and oarlocks	1.020,00
	VABCALA510AD	* Scull alum. wing rigger Aliante 2x Adaptive complete with stainless steel pins, else without oarlocks	987,00
1	VABCALA515	* Scull aluminium wing rigger Aliante for Adaptive boats, frame only	790,00
9	AMPGUIGAAA	Float rigger joint for scull aluminium wing rigger Aliante on 1x Adaptive	60,00
10	AMPGUIPA	Plate for float joint	60,00
11	AMPGUIFLA	Float for 1x Adaptive wing rigger	169,00
2	VABXALA040	Aluminium hilt holder for scull aluminium wing rigger Aliante	51,00
8	AVV8020C	M8 x 20 cylindrical socket head screw	1,30
3	AVBA4M6030	M6 x 30 stainless steel flanged button head screw	2,42
4	VABXXA006A	Stainless steel washer 6 mm	0,30
5	AVDESAG	Hex nut M6	0,68
7	VABCXTAAP	Wedge for height regulation - 20cm	3,00
	VACOPEAL11	Cover for Adaptive scull aluminium wing rigger Aliante	125,00
12	AVD6A	Stainless steel self-locking 6 mm nut	0,90
13	AVBA4M6050	M6 x 50 stainless steel flanged button head screw	2,42
	HILT SECTION		
15	VABXALA030	Crescent-shaped nut for scull aluminium wing rigger Aliante	9,00
17	VABXXGL8	8mm grower washer	1,80
18	AVB830ES	M8 x 30 center bolt	2,42
19	VABXXA008A	Stainless steel flat washer 8 mm	0,30
20	VABXXGL8E	8mm worked washer for hilt	7,00
21	AVBA48035	Hex head screw M8 x 35	1,30
22	VABXMC045	Hilt stainless steel pin	15,50
23	AVD8	Stainless steel nut M8	0,81
24	VABXMC105	Large aluminium washer for scull hilt blocking	5,50
30	VABCXC0474	Universal bushing for Concept II scull oarlock art. 474	2,00
31	VABCXC005	Concept 2 scull nylon oarlock	17,50
16	VABXAL010	Aluminium hilt without pin and oarlock for Aliante rigger	110,00
16+22	VABXAL015	Aluminium hilt with pin, without oarlock for Aliante rigger	125,50
16+22+31	VABXAL020	Aluminum hilt with pin and oarlock for Aliante rigger	143,00
25	VABXXM010	Black washer for pin height adjustment	0,60

* Provide the serial number of the boat and the FISA seat position
 ** Optional

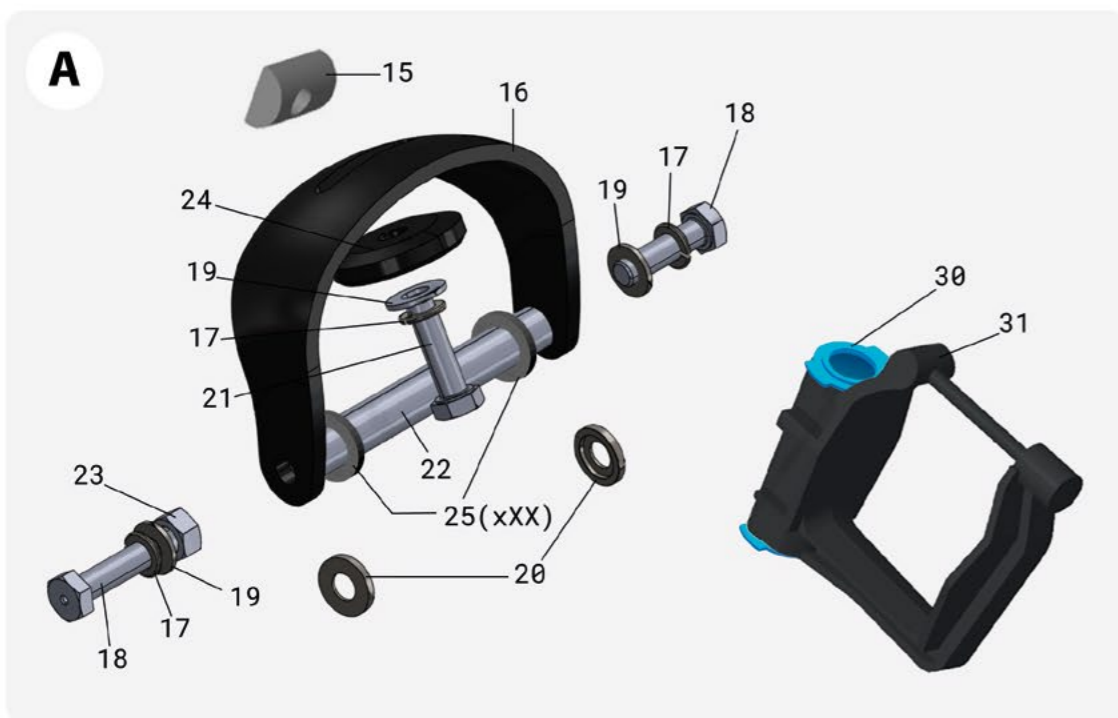
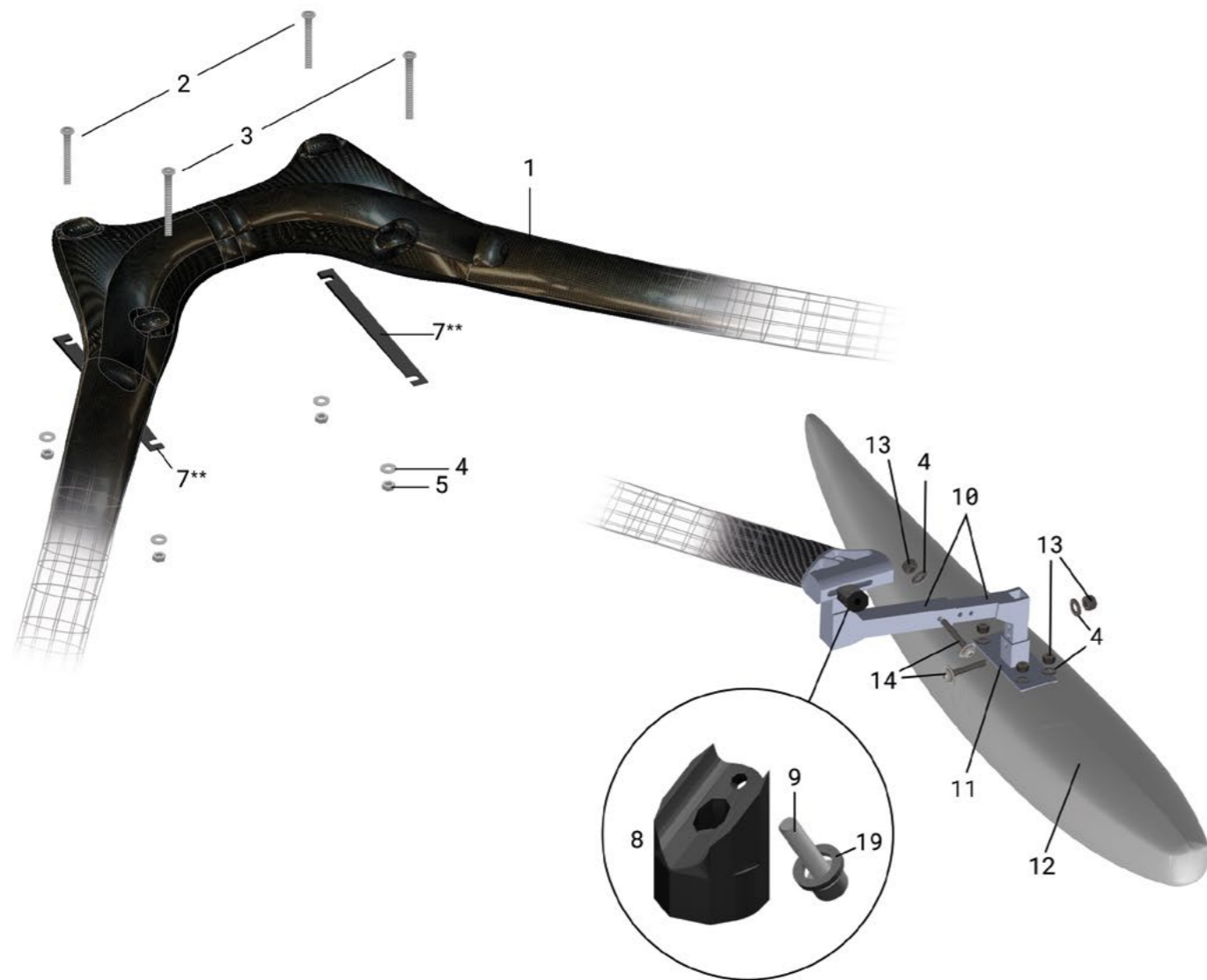
PLEASE PROVIDE BOAT SERIAL NUMBER WHEN YOU PLACE THE ORDER



N°	Code	Description	Price
	VABCWC0ADCW	Scull carbon wing rigger for 1x Adaptive complete with pins, oarlocks, clamp and floats joints	2.130,00
	VABCWCPC	* Scull carbon wing rigger for 2x Adaptive complete with pins, clamp without oarlocks	1.980,00
	VABCWCCC	* Scull carbon wing rigger for 2x Adaptive complete with pins, oarlocks and clamp	2.015,00
1	VABCWCSC	* Scull carbon wing rigger, frame only with clamps	1.850,00
24	AMPGUIGAK	Float rigger joint for scull carbon wing rigger on 1x Adaptive	60,00
25	AMPGUIPK	Plate for float joint on 1x Adaptive scull carbon wing rigger	60,00
26	AMPGUIFLA	Float for 1x Adaptive wing rigger	169,00
5	ASPALLGS	Upper clamp for scull carbon wing rigger fixing	33,50
4	ASPALLGI	Lower clamp for scull carbon wing rigger fixing	33,50
6	VABCWC050	Aluminium clamp for scull carbon wing rigger components fixing, complete with screws	35,00
8	VABXXA006A	Stainless steel washer 6 mm	0,30
9	AVDESAG	Hex nut M6	0,68
10	AVV6030A	M6 x 30 cylindrical socket head screw	0,60
11	AVV815MC	M8 x 15 cylindrical socket head screw	1,10
12	AVD8	Stainless steel nut M8	0,81
13	VABXXA008A	Stainless steel washer 8 mm	0,30
14	VABXMC047	Titanium pin for scull oarlock	64,00
14	VABCXC010	Stainless steel pin for scull oarlock	25,50
15	ASPALLM8	Cylindrical nut M8 for sphere blocking on 360° pitch scull carbon wing rigger	7,50
16	ASPALLTCGI	Outer sphere holder for 360° pitch scull carbon wing rigger	23,00
17	ASPALLTCG1	Inner sphere holder for 360° pitch scull carbon wing rigger	23,00
18	AVV855	8 x 55 cylindrical socket head screw	1,50
19	VABXXT005	5 mm aluminium washer for pin height	1,65
20	VABXXA012A	M12 stainless steel washer	0,60
21	AVD12UNIA	Stainless steel nut M12 self-locking	2,00
22	ASPALLTC	Sphere for 360° pitch scull carbon wing rigger	95,00
23	VABCXTAA	Wedge for scull wing rigger height regulation	2,50
28	VABXXM010	Black washer for oarlock height adjustment	0,60
30	VABCXC0474	Universal bushing for Concept II scull oarlock art. 474	2,00
31	VABCXC005	Concept 2 scull nylon oarlock	17,50
27	AVD6A	Stainless steel self-locking 6 mm nut	0,90

* Provide the serial number of the boat and the FISA seat position
 ** Optional

PLEASE PROVIDE BOAT SERIAL NUMBER WHEN YOU PLACE THE ORDER



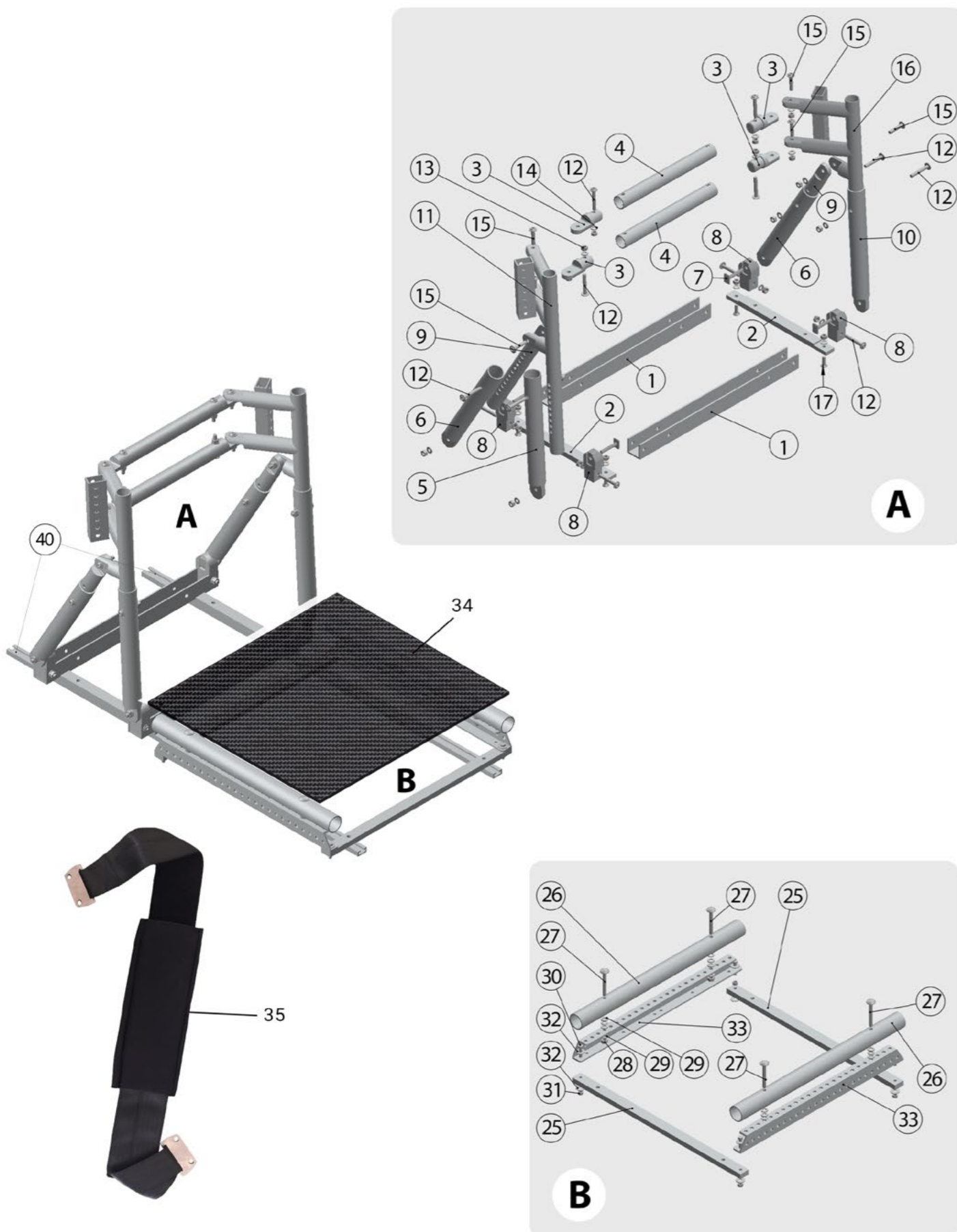
N°	Code	Description	Price
	VABCALC300ADAT	Scull carbon wing rigger Aliante 1x Adaptive complete with stainless steel pins, oarlocks and floats joints	2.540,00
	VABCALC300AD	* Scull carbon wing rigger Aliante 2x Adaptive complete with hilts, stainless steel pins and oarlocks	2.400,00
	VABCALC310AD	* Scull carbon wing rigger Aliante 2x Adaptive complete with hilts, stainless steel pins, without oarlocks	2.370,00
1	VABCALC315AD	* Scull carbon wing rigger Aliante for Adaptive boats, frame only	2.170,00
10	AMPGUIGAAC	Float rigger joints for scull carbon wing rigger Aliante on 1x Adaptive	185,00
11	AMPGUIPA	Plate for float joint on 1x Adaptive scull carbon wing rigger Aliante	60,00
12	AMPGUIFLA	Float for 1x Adaptive wing rigger	169,00
8	VABXALA040	Aluminium hilt holder for scull aluminium wing rigger Aliante	51,00
9	AVV8020C	M8 x 20 cylindrical socket head screw	1,30
2	AVBAMM608704	M6 x 70 stainless steel flanged button head screw	2,42
3	AVBAMM60804	M6 x 80 stainless steel flanged button head screw	2,42
4	VABXXA006A	Stainless steel washer 6 mm	0,30
5	AVDESAG	Hex nut M6	0,68
7	VABCXTAAP	Wedge for height regulation - 20cm	3,00
	VACOPEAL11	Cover for scull aluminium wing rigger Aliante	125,00
13	AVD6A	Stainless steel self-locking 6 mm nut	0,90
14	AVBA4M6050	M6 x 50 stainless steel flanged button head screw (for 1x)	2,42
HILT SECTION			
15	VABXALA030	Crescent-shaped nut for scull wing rigger Aliante	9,00
17	VABXXGL8	8mm grower washer	1,80
18	AVB830ES	M8 x 30 center bolt	2,42
19	VABXXA008A	Stainless steel flat washer 8 mm	0,30
20	VABXXGL8E	8mm worked washer for hilt	7,00
21	AVBA48035	Hex head screw M8 x 35	1,30
22	VABXMC045	Hilt stainless steel pin	15,50
23	AVD8	Stainless steel nut M8	0,81
24	VABXMC105	Large aluminium washer for scull hilt blocking	5,50
30	VABCXC0474	Universal bushing for Concept II scull oarlock art. 474	2,00
31	VABCXC005	Concept 2 scull nylon oarlock	17,50
16	VABXAL010	Aluminium hilt without pin and oarlock for Aliante rigger	110,00
16+22	VABXAL015	Aluminium hilt with pin, without oarlock for Aliante rigger	125,50
16+22+31	VABXAL020	Aluminum hilt with pin and oarlock for Aliante rigger	143,00
25	VABXXM010	Black washer for pin height adjustment	0,60

* Provide the serial number of the boat and the FISA seat position

** Optional

PLEASE PROVIDE BOAT SERIAL NUMBER WHEN YOU PLACE THE ORDER

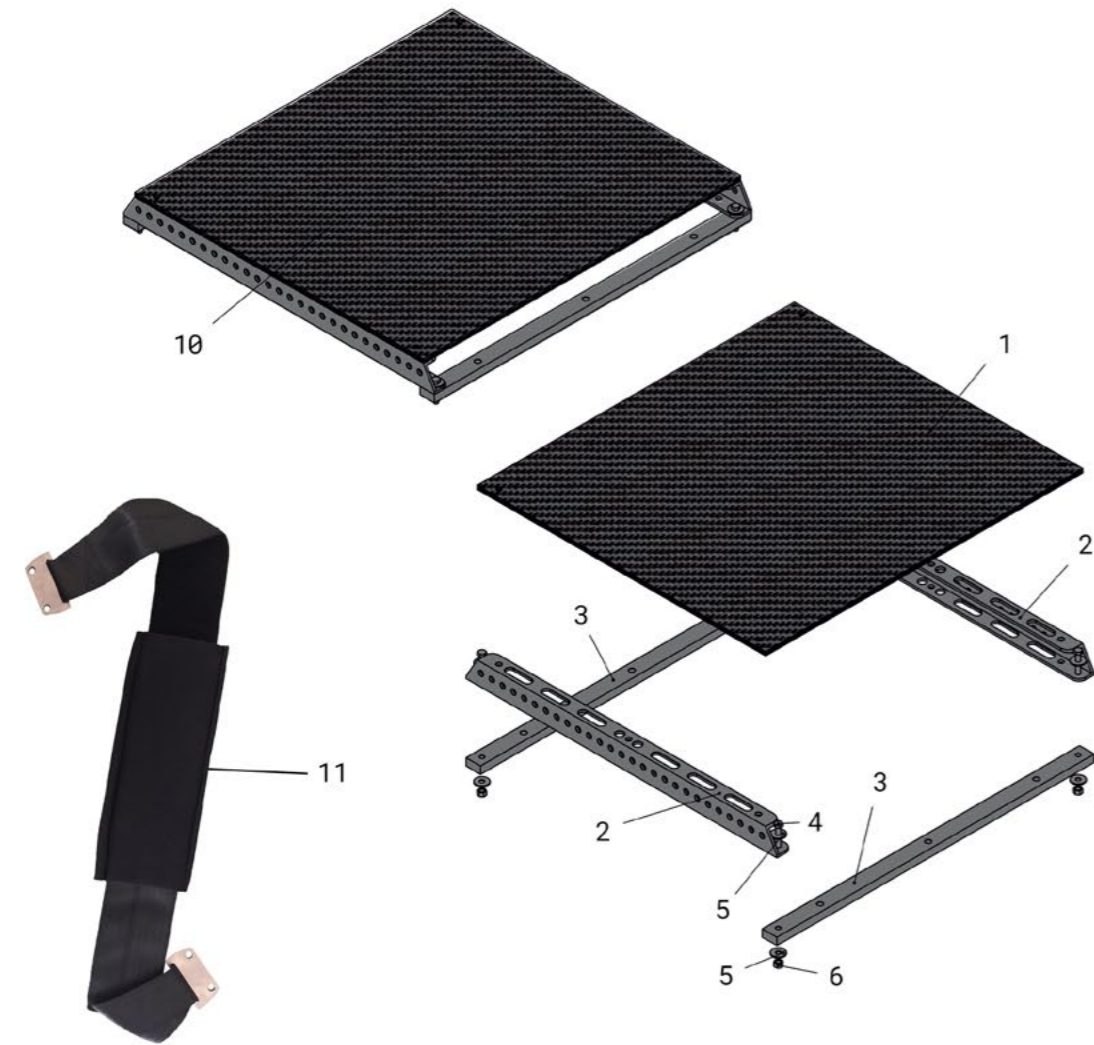
1x ADAPTIVE BOAT SEAT



N°	Code	Description	Price
SECTION A			
1	VACATR1AD	Backrest crossbar for boat fixing	17,00
2	VACADIAD	Spacer for backrest crossbar	15,00
3	VACATAAD	Tubular plug for backrest crossbar	10,00
4	VACATR2AD	Backrest crossbar	15,00
5	VACATSVADDX	Vertical mounting tube (right)	15,00
6	VACATSDAD	Diagonal mounting tube	15,00
7	AVBA4M6030	M6 x 30 stainless steel flanged button head screw	2,42
8	VACATASAD	Plug for mounting tube blocking	10,00
9	VACATSFAD	Diagonal drilled inner mounting tube	17,00
10	VACATSVAD	Vertical mounting tube (left)	15,00
11	VACATSFVDX	Vertical drilled inner mounting tube (right)	18,00
12	AVBA4M6040	M6 x 40 stainless steel flanged button head screw	2,42
13	AVD6A	Stainless steel self-locking 6 mm nut	0,90
14	VABXXA006A	Stainless steel washer 6 mm	0,30
15	AVBA4M6025	M6 x 25 stainless steel flanged button head screw	2,42
16	VACATSFV SX	Vertical drilled inner mounting tube (right)	18,00
17	AVV6020	6 x 20 stainless steel cross-head screw block fixing	0,60
SECTION B			
25	VACATRF SAD	Seat crossbar for boat fixing	17,00
26	VACATFSAD	Tube for seat fixing	17,00
27	AVBA4M6050	M6 x 50 stainless steel flanged button head screw	2,42
28	AVD6A	Stainless steel self-locking 6 mm nut	0,90
29	VABXXA006A	Stainless steel washer 6 mm	0,30
30	AVBA4M530	5 x 30 hex head screw	1,30
31	AVD5A	Stainless steel self-locking 5 mm nut	0,65
32	VABXXA005A	Stainless steel washer 5 mm	0,30
33	VACATR3AD	Drilled C shaped crossbar for 1x Adaptive	18,00
	VACOPEADP1X	Seat kit for Adaptive 1x complete with padding and n.3 straps	700,00
	VACOPEAD1X	1x Adaptive backrest and seat frame	770,00
35	VACOPFAECS32	Belt for Adaptive seat with 2 hole plates	160,00
34	VACASED1XA	Carbon board for 1x Adaptive seat	70,00
40	VACAX6000A	anodized rails for Adaptive seat	26,50

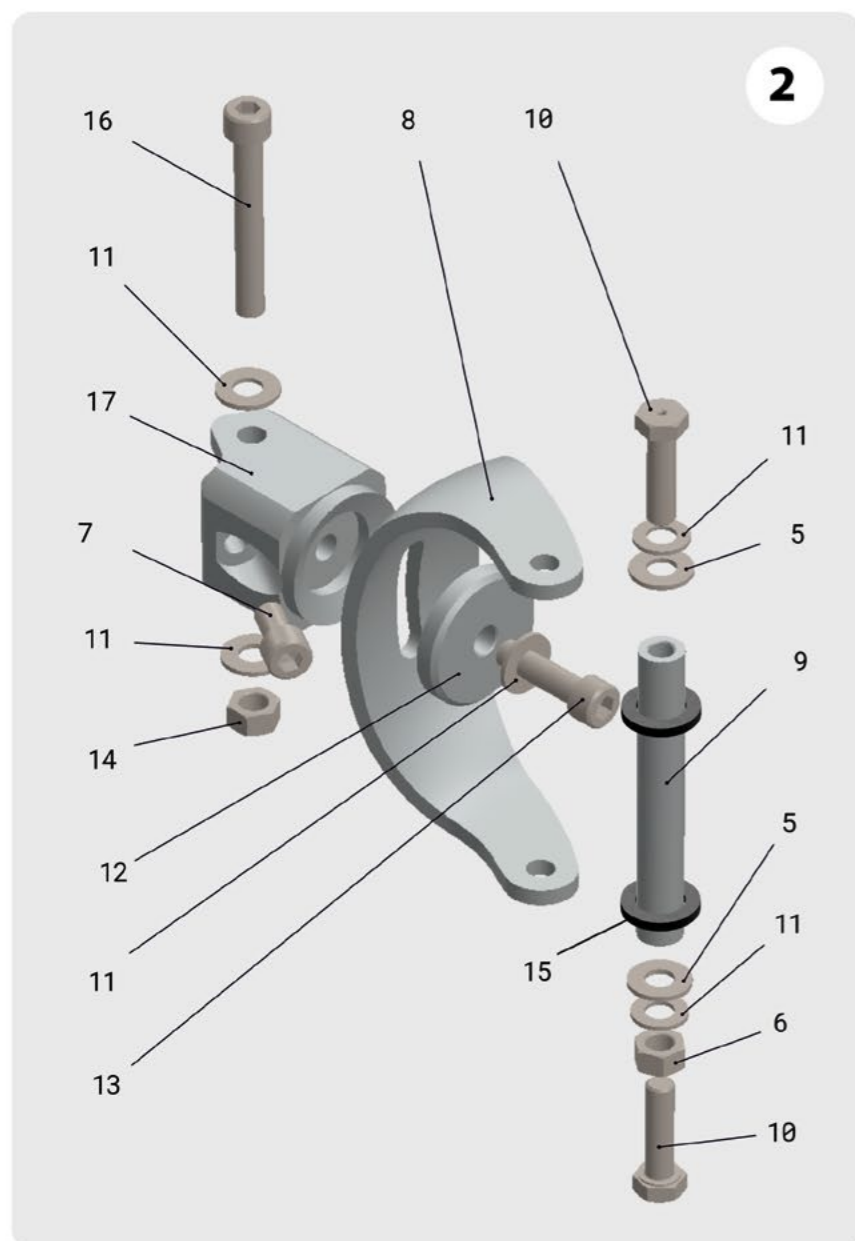
PLEASE PROVIDE BOAT SERIAL NUMBER WHEN YOU PLACE THE ORDER

2x ADAPTIVE BOAT SEAT



N°	Code	Description	Price
10	VACASED2XAC	Complete carbon seat for 2x Adaptive without belt	155,00
1	VACASED2XA	Carbon board for 2x Adaptive seat	70,00
2	VACATR3AD2	Drilled C shaped crossbar for 2x Adaptive	18,00
3	VACATRFSD2	Crossbar for seat fixing on 2x Adaptive	17,00
4	AVBA4M6030	Flanged bolt M6x30 for standard steering plate fastening	2,42
6	AVD6A	Self-locking M6 nut	0,90
5	VABXA006A	Stainless steel washer 6 mm	0,30
11	VACOPFAECS32	Belt for Adaptive seat with 2 hole plates	160,00
	VACAX6000A	Anodized rails for Adaptive seat	26,50

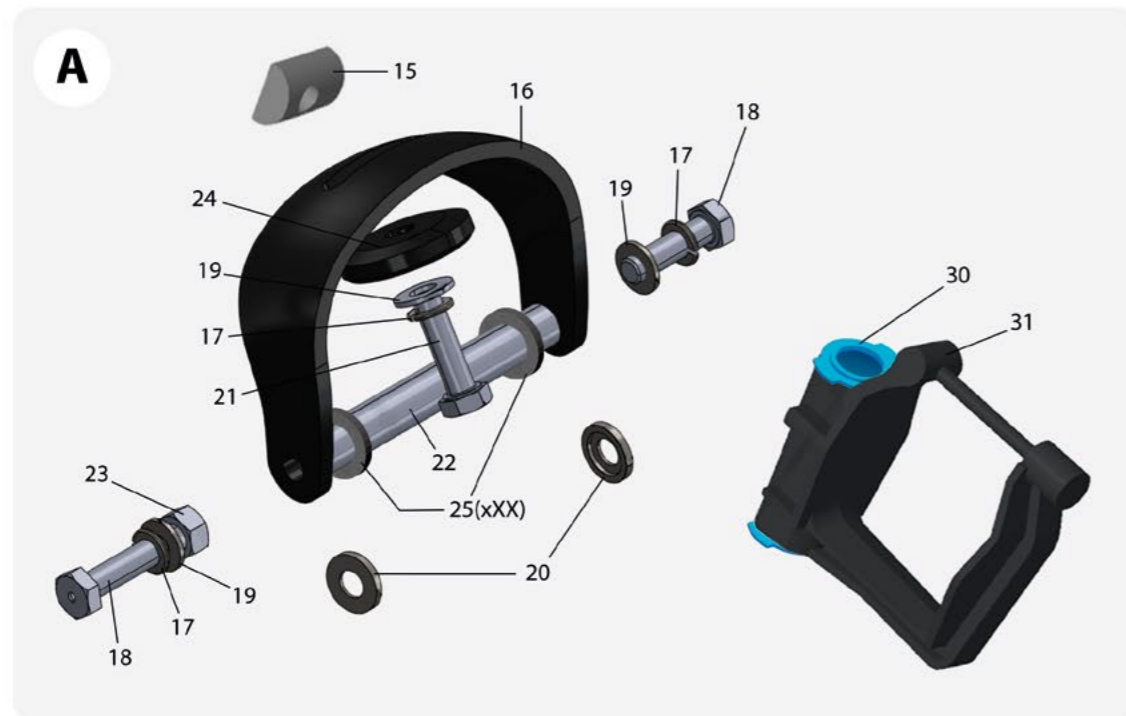
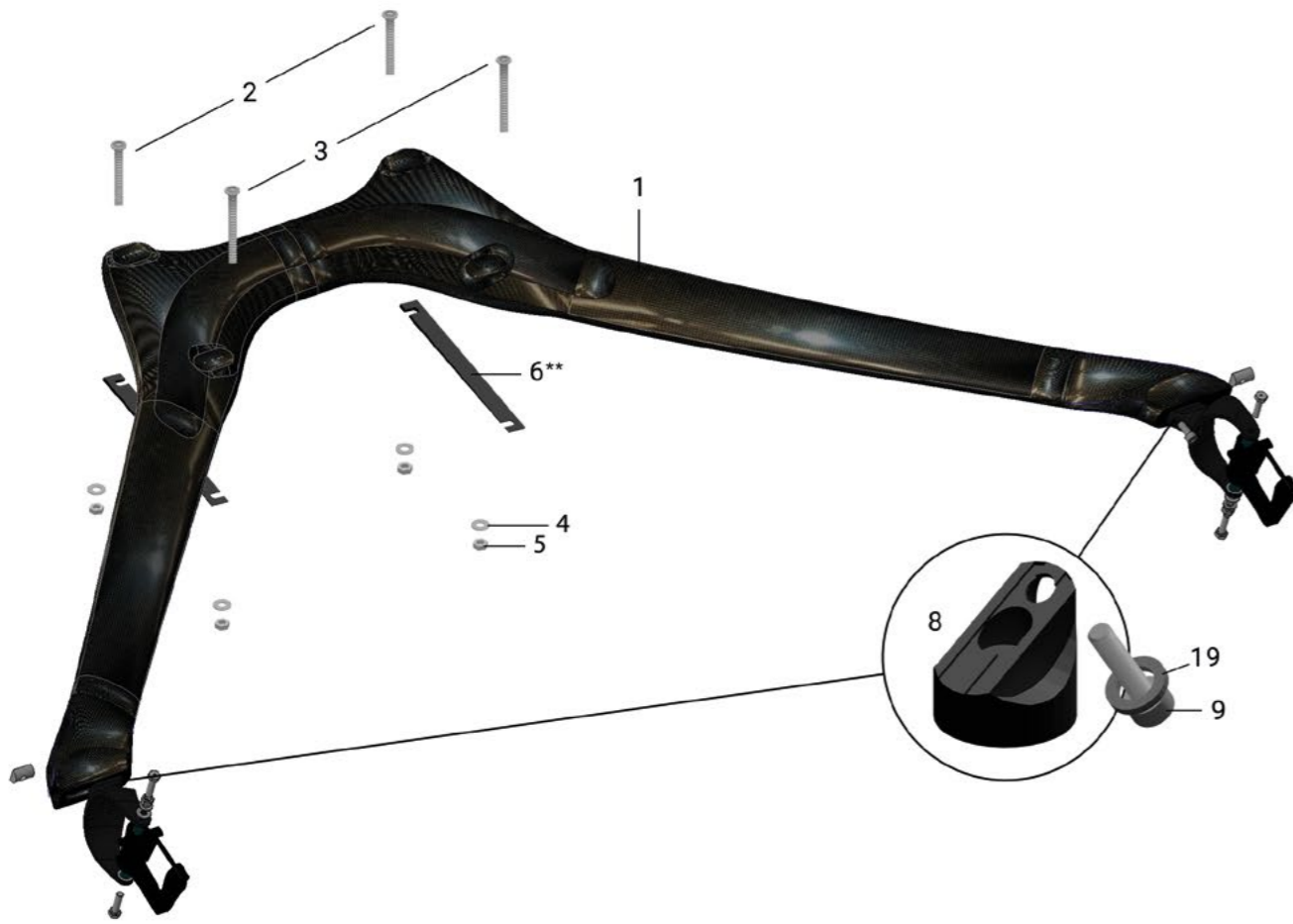
ALIANTE ALUMINIUM RIGGER FOR 1x



N°	Code	Description	Price
	VBCALA1XCR	Scull aluminum wing rigger Aliante for 1x Coastal complete with hilts, pins and oarlocks	1.020,00
	VBCALA1XCRSC	Scull aluminium wing rigger Aliante for 1x Coastal complete with hilts and pins, without oarlocks	987,00
1	VBCALA1XCRSS	Scull aluminium wing rigger Aliante for 1x Coastal , frame only	790,00
8	VABXAL010	Aluminium hilt without pin and oarlock for Aliante rigger	110,00
8+9	VABXAL015	Aluminium hilt with pin, without oarlock for Aliante rigger	125,50
8+9+18	VABXAL020	Aluminium hilt with pin and oarlock for Aliante rigger	143,00
17	VABXF31CR	Aluminium hilt holder for Coastal rowing (after Dec 2021)	50,00
17	VABXALA040CR	Aluminium hilt holder for Coastal rowing (before Dec 2021)	51,00
16	AVB8050	8 x 50 cylindrical allen head bolt	3,20
5	VABXXGL8E	8mm worked washer for hilt	7,00
6	AVD8	Stainless steel nut M8	0,81
7	AVV6GR	8 x 25 grub screw	1,00
9	VABXMC045	Hilt stainless steel pin	15,50
10	AVB830ES	M8 x 30 center bolt	2,42
11	VABXXA008A	Stainless steel flat washer 8 mm	0,30
12	VABXMC105	Large aluminium washer for hilt blocking	5,50
13	AVBA48035	Hex head screw M8 x 35	1,30
14	AVD8A	Stainless steel self-locking 8 mm nut	0,81
15	VABXXM010	Black washer for oarlock height adjustment	0,60
19	VABCXC0474	Universal bushing for Concept II scull oarlock art. 474	2,00
18	VABCXC005	Concept 2 scull nylon oarlock	17,50
2	AVV6030A	M6 x 30 cylindrical socket head screw	0,60
3	VABXXA618A	Stainless steel wide band washer 6 x 18	0,60
4	AVDESAG	Hex nut M6	0,68

PLEASE PROVIDE BOAT SERIAL NUMBER WHEN YOU PLACE THE ORDER

ALIANTE CARBON RIGGER FOR 1x



N°	Code	Description	Price
	VABCALC300	* Scull carbon wing rigger Aliante complete with hilts, pins and oarlocks	2.400,00
	VABCALC310	* Scull carbon wing rigger Aliante complete with hilts and pins, without oarlocks	2.370,00
	VACOPEAL11	Cover for scull carbon wing rigger Aliante	125,00
1	VABCALC315	*Scull carbon wing rigger Aliante, frame only	2.170,00
2	AVBAMM608704	M6 x 70 stainless steel flanged button head screw	2,42
3	AVBAMM60804	M6 x 80 stainless steel flanged button head screw	2,42
4	VABXA006A	Stainless steel washer 6 mm	0,30
5	AVDESAG	Hex nut M6	0,68
6	VABCXTAAP	Wedge for height regulation - 20cm	3,00
8	VABXALA041	Aluminium hilt holder for scull carbon wing rigger Aliante	51,00
9	AVV8020C	M8 x 20 cylindrical socket head screw	1,30
HILT SECTION			
15	VABXALA031	Crescent-shaped nut for scull carbon wing rigger Aliante	9,00
16	VABXAL010L	Aluminium light hilt without pin and oarlock for Aliante rigger	110,00
16+22	VABXAL015L	Aluminium light hilt with pin, without oarlock for Aliante rigger	125,50
16+22+31	VABXAL020L	Aluminium light hilt with pin and oarlock for Aliante rigger	143,00
17	VABXXGL8	8mm grower washer	1,80
18	AVB830ES	M8 x 30 center bolt	2,42
19	VABXA008A	Stainless steel flat washer 8 mm	0,30
20	VABXXGL8E	8mm worked washer for hilt	7,00
21	AVBA48035	Hex head screw M8 x 35	1,30
22	VABXMC045L	7075 light alloy anodized pin for hilt	15,50
23	AVD8	Stainless steel nut M8	0,81
24	VABXMC105	Large aluminium washer for hilt blocking	5,50
25	VABXXM010	Black washer for oarlock height adjustment	0,60
30	VABCXC0474	Universal bushing for Concept II scull oarlock art. 474	2,00
31	VABCXC005	Concept 2 scull nylon oarlock	17,50
HILT, PIN AND OARLOCK BEFORE FEB 2022			
16	VABXAL010	Aluminium hilt without pin and oarlock for Aliante rigger (before Feb 2022)	110,00
16+22	VABXAL015	Aluminium hilt with pin, without oarlock for Aliante rigger (before Feb 2022)	125,50
16+22+31	VABXAL020	Aluminium hilt with pin and oarlock for Aliante rigger (before Feb 2022)	143,00
22	VABXMC045	7075 light alloy anodized pin for hilt (before Feb 2022)	15,50

* Provide the serial number of the boat and the FISA seat position
 ** Optional

PLEASE PROVIDE BOAT SERIAL NUMBER WHEN YOU PLACE THE ORDER

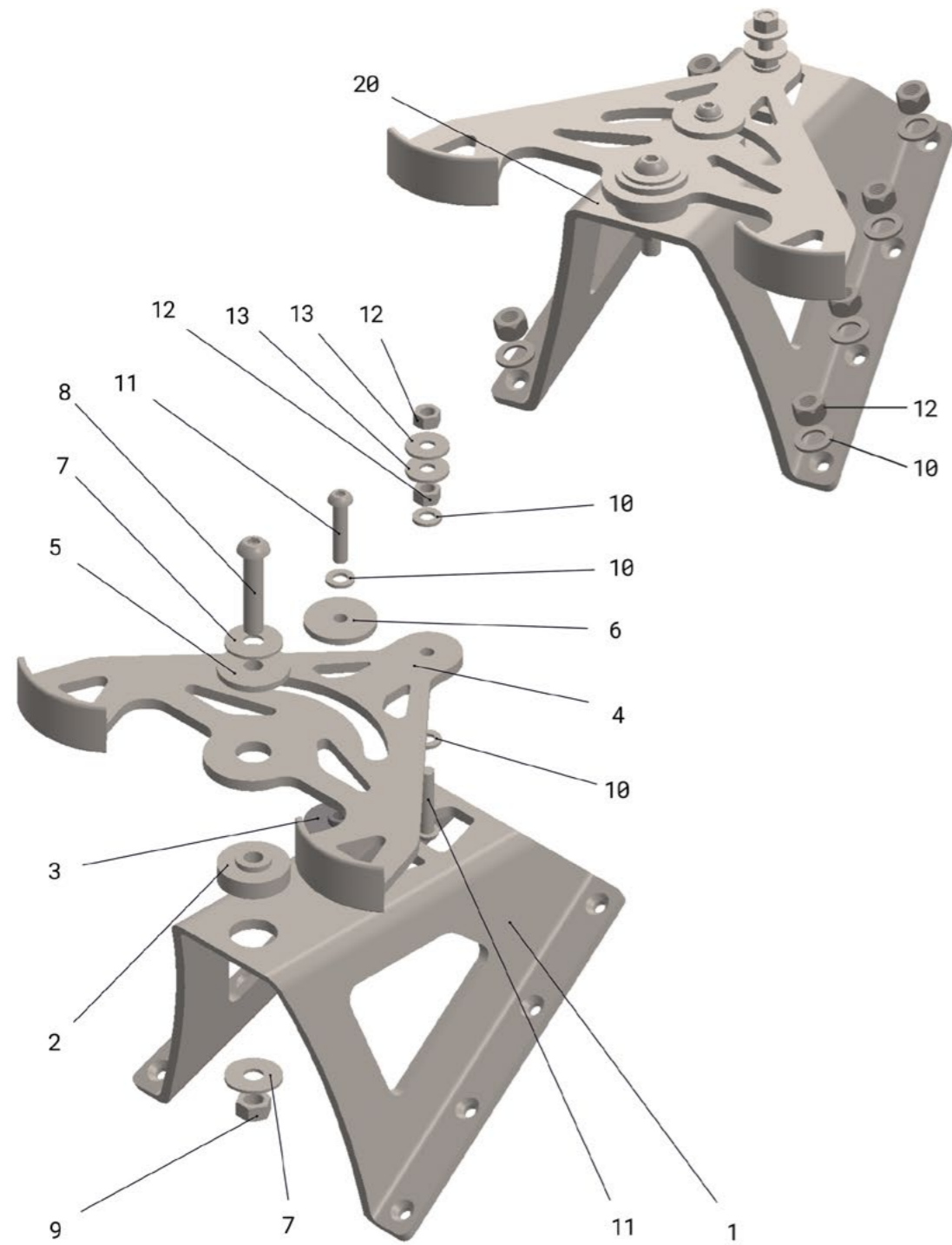


N°	Code	Description	Price
	VABCWACR4	* Scull aluminium wing rigger Aliante for 2x Coastal complete with hilt, pin and oarlock	688,00
2	VABCWACR3	* Scull aluminium wing rigger Aliante for 2x Coastal complete with hilt and pin, without oarlock	670,00
1	VABCWACR2	* Scull aluminium wing rigger Aliante for 2x Coastal , frame only	500,00
	VABCWACR7	* Scull aluminium wing rigger Aliante for 4x+ Coastal complete with hilt, pin and oarlock	688,00
2	VABCWACR6	* Scull aluminium wing rigger Aliante for 4x+ Coastal complete with hilt and pin, without oarlock	670,00
1	VABCWACR8	* Scull aluminium wing rigger Aliante for 4x+ Coastal , frame only	500,00
8	VABXMC010	Aluminium hilt, without pin and oarlock	110,00
8+9	VABXAL015	Aluminium hilt complete with pin, without oarlock	125,50
8+9+21	VABXAL020	Aluminium hilt complete with pin and oarlock	143,00
3	VABXF31CR	Aluminium hilt holder for Coastal rowing (after Dec 2021)	50,00
3	VABXALA040CR	Aluminium hilt holder for Coastal rowing (before Dec 2021)	51,00
4	AVB8050	8 x 50 cylindrical allen head bolt	3,20
5	VABXXGL8E	8mm worked washer for hilt	7,00
6	AVD8	Stainless steel nut M8	0,81
7	AVV6GR	8 X 25 grub screw	1,00
9	VABXMC045	Hilt stainless steel pin	15,50
10	AVB830ES	M8 x 30 center bolt	2,42
11	VABXXA008A	Stainless steel flat washer 8 mm	0,30
12	VABXMC105	Large aluminium washer for hilt blocking	5,50
13	AVBA48035	Hex head screw M8 x 35	1,30
14	AVD8A	Stainless steel self-locking 8 mm nut	0,81
15	VABXXM010	Black washer for oarlock height adjustment	0,60
20	VABCXC0474	Universal bushing for Concept II scull oarlock art. 474	2,00
21	VABCXC005	Concept 2 scull nylon oarlock	17,50
18	AVV6030A	M6 x 30 cylindrical socket head screw	0,60
16	VABXXA618A	Stainless steel wide band washer 6 x 18	0,60
17	AVDESAG	Hex nut M6	0,68

* Provide the serial number of the boat and the FISA seat position

PLEASE PROVIDE BOAT SERIAL NUMBER WHEN YOU PLACE THE ORDER

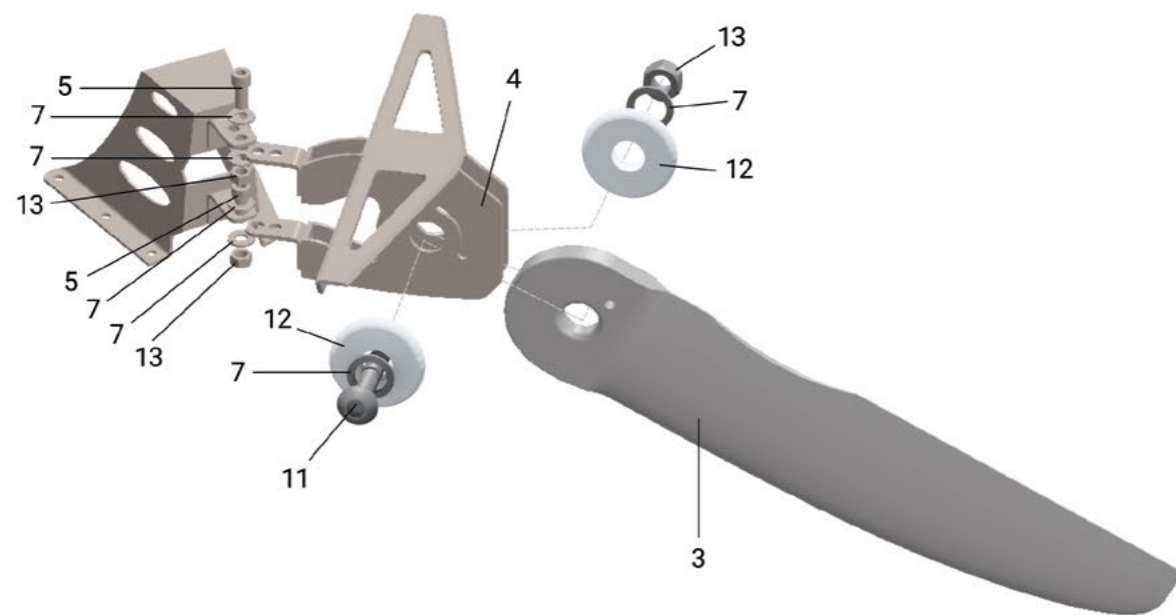
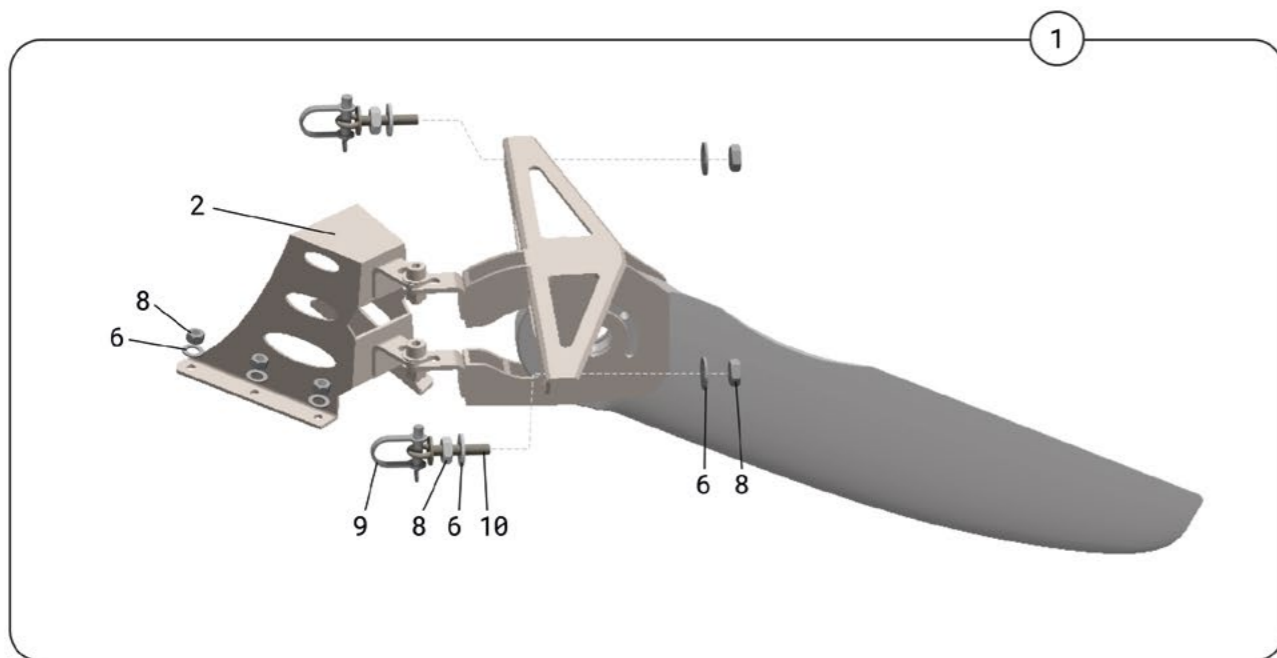
STEERING COMPONENTS ON COASTAL 4x+



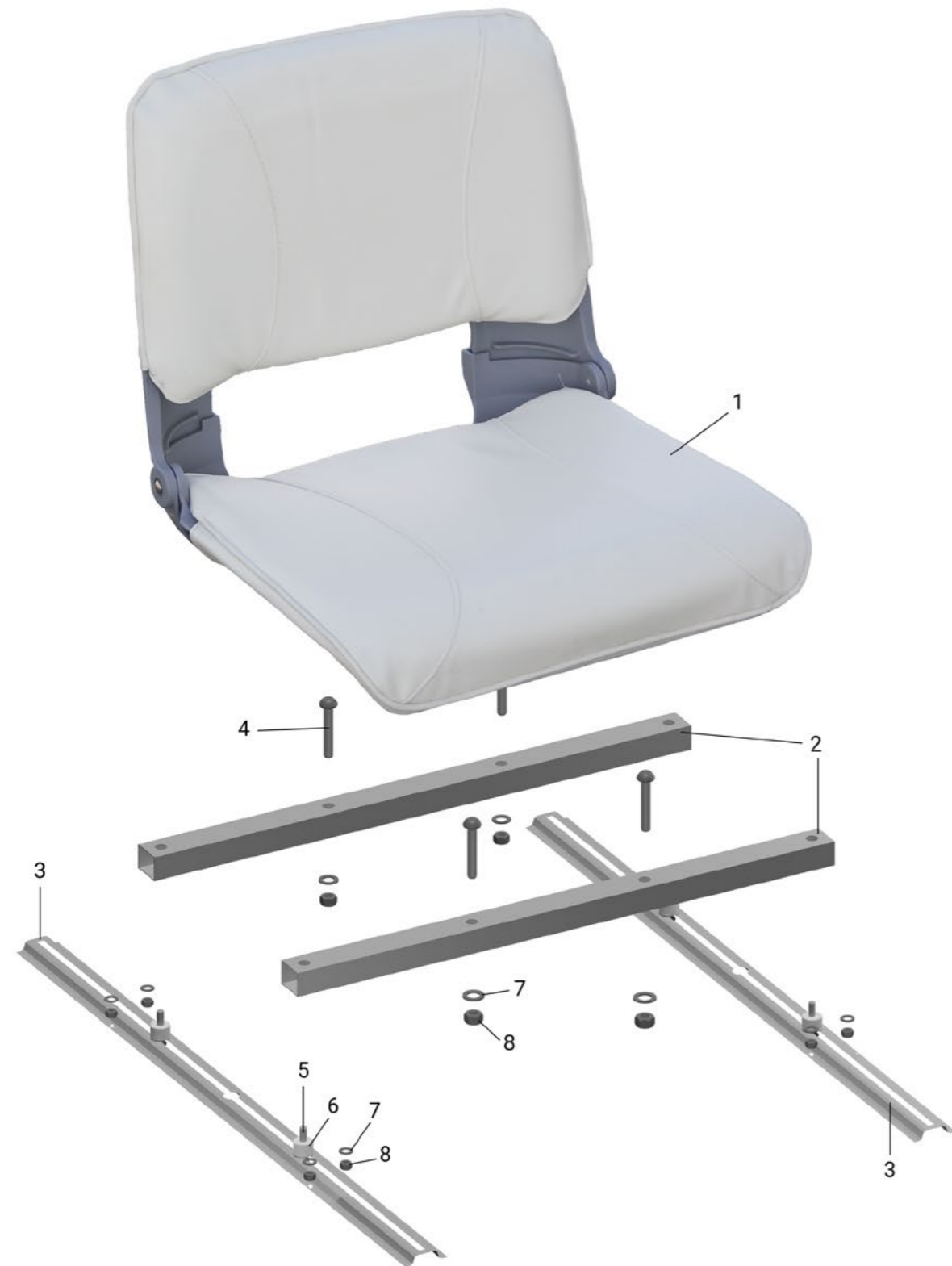
Filippi Spare Parts List: Coastal boats - v.35 r.6

N°	Code	Description	Price
1	VACAT0PE4CR	Turret for 4x+ stretcher	63,50
2	VACABPS48CR	Lower pom 8 mm bushing for Coastal 4x+ stretcher	9,50
3	VACABPS46CR	Lower pom 6 mm bushing for Coastal 4x+ stretcher	7,50
4	VACAPP4CR	Plate for Coastal 4x+ stretcher	55,00
5	VACAB48CR	Upper pom 8 mm bushing for Coastal 4x+ stretcher	5,00
6	VACAB46CR	Upper pom 6 mm bushing for Coastal 4x+ stretcher	5,00
7	VABXXA824	Stainless steel washer 8 x 24 wide band	0,60
8	AVB8035	Hex head allen bolt M8 x 35	1,50
9	AVD8A	Stainless steel self-locking 8 mm nut	0,81
10	VABXXA006A	Stainless steel washer 6 mm	0,30
11	AVB620TTBR	Round button head bolt 6 X 20	0,80
12	AVDESAG	Hex nut M6	0,68
13	VABXXA618A	Stainless steel wide band washer 6 x 18	0,60
20	VIAAKP4CR	Kit for Coastal 4x+ stretcher	155,00

RUDDER FOR COASTAL 4x+



N°	Code	Description	Price
2	VIAATTCR	Turret shaped rudder holder for Coastal 4x+	153,00
4	VIAAPTCR	Rudder holder for Coastal 4x+	153,00
3	AASTAV0C8	Rudder for Coastal 4x+	167,00
5	AVB8035	Hex head allen bolt M8 x 35	1,50
7	VABXXA008A	Stainless steel flat washer 8 mm	0,30
13	AVD8A	Stainless steel self-locking 8 mm nut	0,81
1	VIAAKT4CR	Complete rudder kit for Coastal 4x+	475,00
	VAVASC06406B	Blue rope (6 mm) for coastal rowing boat	4,00
	VAVASCT10	Stainless steel cable-diameter 1,5 mm (per meter)	2,00
11	AVB8040CR	8X40 socket head bolt for 4 coastal rudder fixing	1,50
9	VAVASCT13	Stainless shackle for rudder bar	1,00
10	AVB640TCR	6X40 eyelet bolt	2,00
8	AVDESAG	Hex nut M6	0,68
6	VABXXA006A	Stainless steel washer 6 mm	0,30
12	VABB8CR	Plastic bushing for rudder fixing on Coastal 4x+	2,00



N°	Code	Description	Price
1	VAVASP4CR	White folding seat for Coastal 4x+ coxswain seat	100,00
2	VABTRSTCR	Aluminium crossbar for coxswain seat fixing on Coastal 4x+	16,50
3	VABOMETCR	Stainless steel omega profile for coxswain seat fixing on Coastal 4x+	29,00
4	AVV640TSCR	6 x 40 countersunk allen head screw for seat crossbar fixing	1,00
5	AVB650CTCR	6 X 50 bolt with square base and round head	1,00
6	VABSPSCR	Cylindrical wedge for round head bolt on Coastal 4x+ coxswain seat	5,00
7	VABXA006A	Stainless steel washer 6 mm	0,30
8	AVDESAG	Hex nut M6	0,68

PLEASE PROVIDE BOAT SERIAL NUMBER WHEN YOU PLACE THE ORDER

Filippi

 www.filippiboats.com

 info@filippiboats.com

 +39 0565 777311